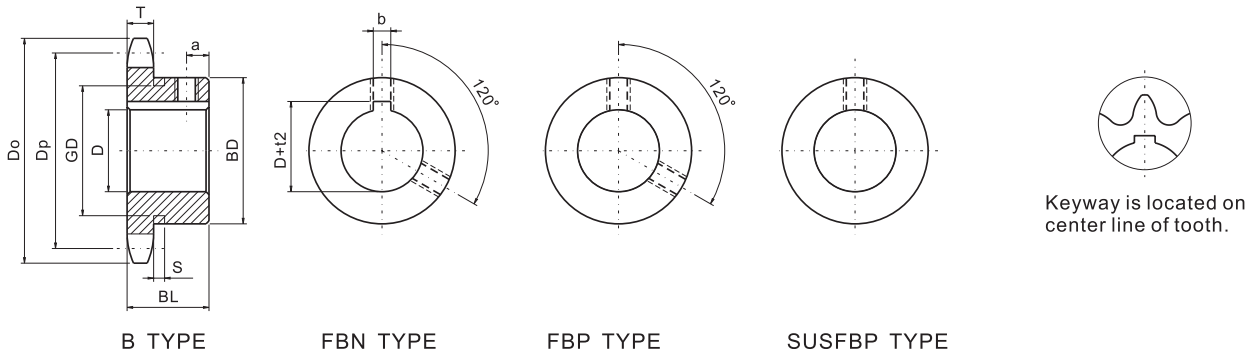


Finished Bore Sprockets Asian Standard Series

SUSFBP11B



SUSFBP11B

Do	Dp	BD	BL	a	Wt g	Form	Type	Teeth	∅D
16.2	14.475	9.4	10.5	4	5.9	B- I	SUSFBP 11B	12	5
19.9	18.020	13	10.5	4	11.5			15	5 6
21.1	19.204	14	10.5	4	13.5			16	5 6 8
23.5	21.575	16	10.5	4	17.7			18	5 6 8
25.9	23.949	19	10.5	4	23.3			20	8 10
30.7	28.703	19	10.5	4	25.7			24	8 10
35.5	33.462	19	10.5	4	28.7			28	8 10
37.9	35.842	19	10.5	4	29.7			30	8 10
42.7	40.604	19	10.5	4	37.9			34	8 10
45.1	42.986	19	10.5	4	40.7			36	8 10
49.8	47.751	19	10.5	4	46.5			40	8 10
59.4	57.283	19	10.5	4	60.5			48	8 10

SPROCKETS

Tooth Width (T) 1.6mm

CHAIN

Pitch (P) 3.7465mm
Internal width (W) 1.83mm
RollerΦ (Dr) 2.285mm

Material: SUS304

FBP15B/FBN15B

Do	Dp	BD	BL	a	Wt g	Type	Teeth	∅D
19.0	16.90	11	10	4	9	FBP 15B	11	5
20.5	18.40	12	10	4	10		12	5 6
22.0	19.90	14	10	4	14		13	5 6 8
23.5	21.40	15	12	5	17		14	8
25.0	22.91	17	12	5	22		15	8
26.5	24.41	18	12	5	23		16	10
28.0	25.92	20	14	6	32		17	10
29.5	27.43	22	14	6	40		18	10
32.5	30.44	24	14	6	49		20	10
39.0	36.49	30	16	7	88		24	10 12 15
42.0	39.51	33	16	7	104	FBN 15B	26	12 15 16
45.0	42.54	37	16	7	131		28	12 15 16
48.0	45.56	39	16	7	147		30	12 15 16
52.5	50.10	40	18	8	178		33	12 15 16
55.5	53.13	40	18	8	182		35	12 15 16

SPROCKETS

Tooth Width (T) 2.0mm

CHAIN

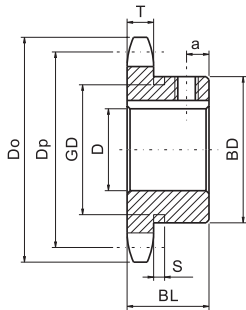
Pitch (P) 4.7625mm
Internal width (W) 2.38mm
RollerΦ (Dr) 2.48mm

Material: C45

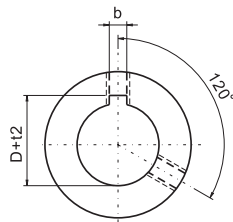
Power Transmission Professional

Finished Bore Sprockets Asian Standard Series

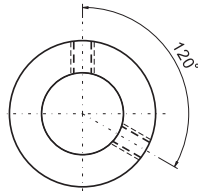
FBN25B



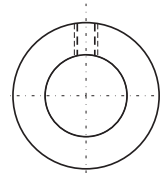
B TYPE



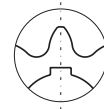
FBN TYPE



FBP TYPE



SUSFBP TYPE



Keyway is located on center line of tooth.

□ FBN25B

SPROCKETS

Tooth Width (T) 2.8mm

CHAIN

Pitch (P) 6.35mm
Internal width (W) 3.18mm
Roller Φ (Dr) 3.3mm

Power Transmission Professional

Material: C45

Do	Dp	BD	BL	a	Wt g	Type	Teeth	ϕD^{H7}
36	32.55	25	15	6	60	FBN 25B	16	10 12
38	34.56	25	15	6	70		17	10 12
40	36.57	25	15	6	70		18	10 12
42	38.58	28	15	6	80		19	10 12
44	40.59	28	15	6	80		20	10 12
46	42.61	28	15	6	90		21	10 12
48	44.62	30	15	6	100		22	12 15
50	46.63	30	15	6	110		23	12 15
52	48.65	30	15	6	120		24	12 15
54	50.66	35	15	6	140		25	12 15 16
56	52.68	35	15	6	140		26	12 15 16
58	54.70	35	15	6	150		27	12 15 16
60	56.71	35	15	6	150		28	12 15 16
64	60.75	35	15	6	160		30	12 15 16
68	64.78	40	20	8	200		32	15 16 18 20
72	68.82	40	20	8	210		34	15 16 18 20
74	70.84	40	20	8	210		35	15 16 18 20
76	72.86	40	20	8	220		36	15 16 18 20
80	76.90	40	20	8	260		38	15 16 18 20
84	80.93	40	20	8	270		40	15 16 18 20

Finished Bore Sprockets Asian Standard Series

FBN35B

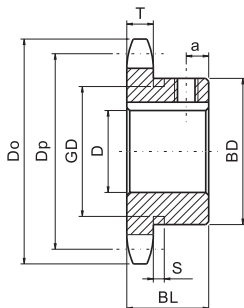
FBN35B

SPROCKETS

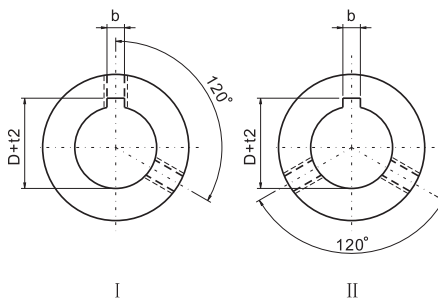
Tooth Width (T) 4.3mm

CHAIN

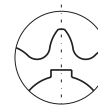
Pitch (P) 9.525mm
Internal width (W) 4.78mm
Roller Φ (Dr) 5.08mm



B TYPE



FBN TYPE



Keyway is located on center line of tooth.

Teeth	S	GD
9	4.4	17
10		20
11		23
12		26
13		29

Material: C45; Hardened Teeth

Do	Dp	BD	BL	a	Wt kg	Type	Teeth	ΦD^{H7}
32	27.85	★21.5	20	6	0.06	FBN 35B	9	10
34	30.82	★24.5	20	6	0.08		10	10 12
38	33.81	★27	20	6	0.09		11	10 12 14
41	36.80	★30.5	20	6	0.12		12	10 12 14 15 16 17
44	39.80	★32	20	6	0.12		13	10 12 14 15 16 17 18
47	42.81	32	20	6	0.12		14	10 12 14 15 16 17 18 19 20
51	45.81	35	20	6	0.16		15	10 12 14 15 16 17 18 19 20
54	48.82	37	20	6	0.19		16	10 12 14 15 16 17 18 19 20 22 24 25
57	51.84	41	20	6	0.22		17	12 14 15 16 17 18 19 20 22 24 25
60	54.85	44	20	6	0.25		18	12 14 15 16 17 18 19 20 22 24 25
63	57.87	47	20	6	0.28		19	12 14 15 16 17 18 19 20 22 24 25 28
66	60.89	50	20	6	0.32		20	12 14 15 16 17 18 19 20 22 24 25 28 30
69	63.91	53	20	6	0.36		21	12 14 15 16 17 18 19 20 22 24 25 28 30 32
72	66.93	56	20	6	0.37		22	12 14 15 16 17 18 19 20 22 24 25 28 30 32
75	69.95	60	20	6	0.38		23	12 14 15 16 17 18 19 20 22 24 25 28 30 32
78	72.97	53	22	8	0.43		24	12 14 15 16 17 18 19 20 22 24 25 28 30 32
81	76.00	53	22	8	0.44		25	15 16 17 18 19 20 22 24 25 28 30 32
84	79.02	53	22	8	0.45		26	15 16 17 18 19 20 22 24 25 28 30 32
87	82.05	53	22	8	0.46		27	15 16 17 18 19 20 22 24 25 28 30 32
90	85.07	53	22	8	0.48		28	15 16 17 18 19 20 22 24 25 28 30 32
93	88.10	53	22	8	0.49		29	
96	91.12	53	22	8	0.51		30	15 16 17 18 19 20 22 24 25 28 30 32
99	94.15	53	22	8	0.53		31	
102	97.18	53	22	8	0.54		32	15 16 17 18 19 20 22 24 25 28 30 32
105	100.20	53	22	8	0.56		33	
109	103.23	53	22	8	0.57		34	15 16 17 18 19 20 22 24 25 28 30 32
112	106.26	53	22	8	0.59		35	15 16 17 18 19 20 22 24 25 28 30 32
115	109.29	53	22	8	0.61		36	15 16 17 18 19 20 22 24 25 28 30 32
118	112.31	63	25	10	0.80		37	
121	115.34	63	25	10	0.82		38	20 22 24 25 28 30 32 35 38
124	118.37	63	25	10	0.84		39	
127	121.40	63	25	10	0.85		40	20 22 24 25 28 30 32 35 38

★ Has recessed groove in hub for chain clearance

Set Screw TYPE II

Power Transmission Professional

Finished Bore Sprockets Asian Standard Series

FBK35B

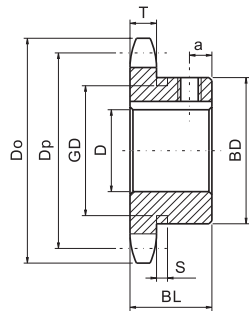
FBK35B

SPROCKETS

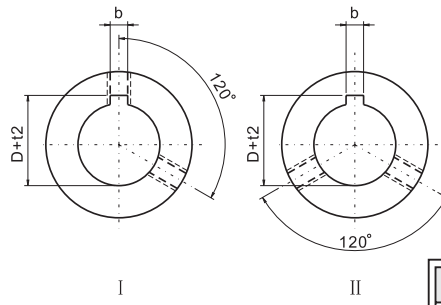
Tooth Width (T) 4.3mm

CHAIN

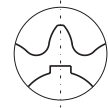
Pitch (P) 9.525mm
Internal width (W) 4.78mm
Roller Φ (Dr) 5.08mm



B TYPE



FBK TYPE



Keyway is located on center line of tooth.

Teeth	S	GD
9	4.4	17
10		20
11		23
12		26
13		29

Material: C45; Hardened Teeth

Do	Dp	BD	BL	a	Wt kg	Type	Teeth	ϕD^{H7}
32	27.85	★21.5	20	6	0.06	FBK 35B	9	
34	30.82	★24.5	20	6	0.08		10	10 12
38	33.81	★27	20	6	0.09		11	10 14
41	36.80	★30.5	20	6	0.12		12	10 12 14 15 17
44	39.80	★32	20	6	0.12		13	10 12 15 17
47	42.81	32	20	6	0.12		14	12 14 15 17 20
51	45.81	35	20	6	0.16		15	12 14 15 16 17 18 19 20
54	48.82	37	20	6	0.19		16	12 14 15 17 18 20 22 25
57	51.84	41	20	6	0.22		17	12 15 17 20 22 25
60	54.85	44	20	6	0.25		18	12 14 15 20 25
63	57.87	47	20	6	0.28		19	15 20 25
66	60.89	50	20	6	0.32		20	12 15 16 17 18 20 22 25 28 30
69	63.91	53	20	6	0.36		21	12 14 15 20 25
72	66.93	56	20	6	0.37		22	15 20 22 25
75	69.95	60	20	6	0.38		23	15 20
78	72.97	53	22	8	0.43		24	12 15 17 20 25 30
81	76.00	53	22	8	0.44		25	17 20
84	79.02	53	22	8	0.45		26	20 22 25
87	82.05	53	22	8	0.46		27	
90	85.07	53	22	8	0.48		28	
93	88.10	53	22	8	0.49		29	
96	91.12	53	22	8	0.51		30	20 25
99	94.15	53	22	8	0.53		31	
102	97.18	53	22	8	0.54		32	17
105	100.20	53	22	8	0.56		33	
109	103.23	53	22	8	0.57		34	
112	106.26	53	22	8	0.59		35	20 25
115	109.29	53	22	8	0.61		36	20
118	112.31	63	25	10	0.80		37	
121	115.34	63	25	10	0.82		38	
124	118.37	63	25	10	0.84		39	
127	121.40	63	25	10	0.85		40	20 25

★ Has recessed groove in hub for chain clearance

□ Set Screw TYPE II

Finished Bore Sprockets Asian Standard Series

FBN40B

FBN40B

SPROCKETS

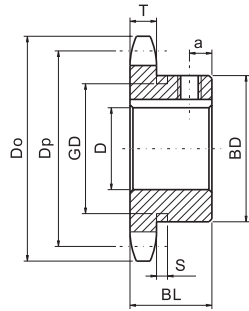
Tooth Width (T) 7.2mm

CHAIN

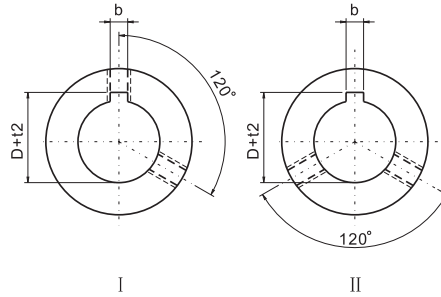
Pitch (P) 12.7mm

Internal width (W) 7.95mm

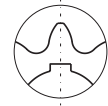
Roller Φ (Dr) 7.95mm



B TYPE



FBN TYPE



Keyway is located on center line of tooth.

Teeth	S	GD
9	5.2	23
10		27
11		31
12		35

Material: C45; Hardened Teeth

Do	Dp	BD	BL	a	Wt kg	Type	Teeth	ϕD^{H7}
42	37.13	★28	22	5	0.11	FBN 40B	9	10 12 14 15 16 17 18 19 20 22 24 25 28
46	41.10	★32	22	5	0.14		10	10 12 14 15 16 17 18 19 20 22 24 25 28 30 32
51	45.08	★36	22	5	0.19		11	10 12 14 15 16 17 18 19 20 22 24 25 28 30 32 35 38 40
55	49.07	★40	22	5	0.22		12	10 12 14 15 16 17 18 19 20 22 24 25 28 30 32 35 38 40 42 45
59	53.07	37	22	6	0.23		13	12 14 15 16 17 18 19 20 22 24 25 28 30 32 35 38 40 42 45
63	57.07	42	22	6	0.28		14	12 14 15 16 17 18 19 20 22 24 25 28 30 32 35 38 40 42 45
67	61.08	46	22	6	0.34		15	12 14 15 16 17 18 19 20 22 24 25 28 30 32 35 38 40 42 45
71	65.10	50	22	6	0.40		16	14 15 16 17 18 19 20 22 24 25 28 30 32 35 38 40 42 45
76	69.12	54	22	6	0.46		17	14 15 16 17 18 19 20 22 24 25 28 30 32 35 38 40 42 45
80	73.14	57	22	6	0.51		18	14 15 16 17 18 19 20 22 24 25 28 30 32 35 38 40 42 45
84	77.16	62	22	6	0.59		19	14 15 16 17 18 19 20 22 24 25 28 30 32 35 38 40 42 45
88	81.18	67	25	7	0.76		20	14 15 16 17 18 19 20 22 24 25 28 30 32 35 38 40 42 45
92	85.21	71	25	7	0.85		21	14 15 16 17 18 19 20 22 24 25 28 30 32 35 38 40 42 45
96	89.24	75	25	7	0.95		22	14 15 16 17 18 19 20 22 24 25 28 30 32 35 38 40 42 45
100	93.27	77	25	7	1.00		23	14 15 16 17 18 19 20 22 24 25 28 30 32 35 38 40 42 45
104	97.30	63	25	7	0.84		24	14 15 16 17 18 19 20 22 24 25 28 30 32 35 38 40 42
108	101.33	63	25	7	0.88		25	14 15 16 17 18 19 20 22 24 25 28 30 32 35 38 40 42
112	105.36	63	25	7	0.92		26	14 15 16 17 18 19 20 22 24 25 28 30 32 35 38 40 42
116	109.40	63	25	7	0.96		27	14 15 16 17 18 19 20 22 24 25 28 30 32 35 38 40 42
120	113.43	63	25	7	1.00		28	14 15 16 17 18 19 20 22 24 25 28 30 32 35 38 40 42
124	117.46	63	25	7	1.00		29	25
128	121.50	63	25	7	1.10		30	14 15 16 17 18 19 20 22 24 25 28 30 32 35 38 40 42
133	125.53	68	28	10	1.20		31	
137	129.57	68	28	10	1.30		32	20 22 24 25 28 30 32 35 40
141	133.61	68	28	10	1.30		33	
145	137.64	68	28	10	1.30		34	20 22 24 25 28 30 32 35 40
149	141.68	68	28	10	1.40		35	20 22 24 25 28 30 32 35 40
153	145.72	68	28	10	1.50		36	20 22 24 25 28 30 32 35 40
157	149.75	68	28	10	1.55		37	35
161	153.79	68	28	10	1.60		38	24 25 28 30 32 35 40
165	157.83	68	28	10	1.65		39	
169	161.87	68	28	10	1.70		40	25 28 30 32 35 40

★ Has recessed groove in hub for chain clearance

Set Screw TYPE II

Finished Bore Sprockets Asian Standard Series

FBK40B

FBK40B

SPROCKETS

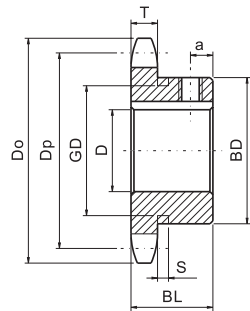
Tooth Width (T) 7.2mm

CHAIN

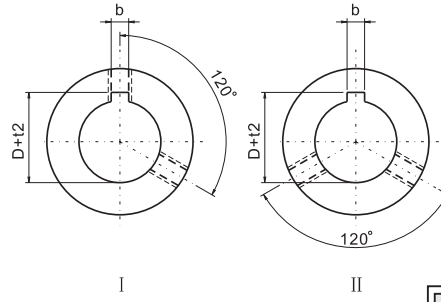
Pitch (P) 12.7mm

Internal width (W) 7.95mm

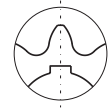
Roller Φ (Dr) 7.95mm



B TYPE



FBK TYPE



Keyway is located on center line of tooth.

Teeth	S	GD
9	5.2	23
10		27
11		31
12		35

Material: C45; Hardened Teeth

Do	Dp	BD	BL	a	Wt Kg	Type	Teeth	ϕD^{H7}
42	37.13	★28	22	5	0.11	FBK 40B	9	12 15
46	41.10	★32	22	5	0.14		10	12 15 16
51	45.08	★36	22	5	0.19		11	12 15 17 20
55	49.07	★40	22	5	0.22		12	12 15 17 18 19 20 22
59	53.07	37	22	6	0.23		13	15 17 18 19 20 22 24 25 28
63	57.07	42	22	6	0.28		14	14 15 17 18 19 20 22 24 25 28 30
67	61.08	46	22	6	0.34		15	14 15 17 18 19 20 22 24 25 28 30
71	65.10	50	22	6	0.40		16	15 17 18 19 20 22 24 25 28 30
76	69.12	54	22	6	0.46		17	18 19 20 22 24 25 28 30 32
80	73.14	57	22	6	0.51		18	15 18 19 20 22 24 25 28 30 32 35
84	77.16	62	22	6	0.59		19	15 18 20 22 24 25 30
88	81.18	67	25	7	0.76		20	15 17 18 19 20 22 24 25 28 30 35 40
92	85.21	71	25	7	0.85		21	18 19 20 22 25 28 30 35 40
96	89.24	75	25	7	0.95		22	20 22 24 25 28 30 35
100	93.27	77	25	7	1.00		23	20 25 28 30 35
104	97.30	63	25	7	0.84		24	20 22 24 25 28 30 35
108	101.33	63	25	7	0.88		25	18 20 22 25 30 35
112	105.36	63	25	7	0.92		26	18 20 24 25 28 30 35
116	109.40	63	25	7	0.96		27	20 22 25 30 35
120	113.43	63	25	7	1.00		28	22 24 25 30 35 40
124	117.46	63	25	7	1.00		29	25
128	121.50	63	25	7	1.10		30	20 22 24 25 28 30 32 35 40
133	125.53	68	28	10	1.20		31	
137	129.57	68	28	10	1.30		32	25 30 35
141	133.61	68	28	10	1.30		33	
145	137.64	68	28	10	1.30		34	
149	141.68	68	28	10	1.40		35	25 30 35 40
153	145.72	68	28	10	1.50		36	20 25 30 35
157	149.75	68	28	10	1.55		37	35
161	153.79	68	28	10	1.60		38	24 28
165	157.83	68	28	10	1.65		39	
169	161.87	68	28	10	1.70		40	30 35 40

★ Has recessed groove in hub for chain clearance

Set Screw TYPE II

Finished Bore Sprockets Asian Standard Series

FBN50B

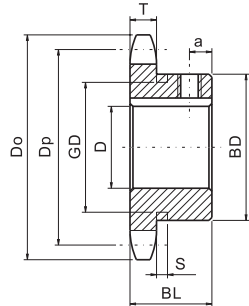
FBN50B

SPROCKETS

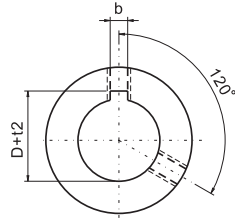
Tooth Width (T) 8.7mm

CHAIN

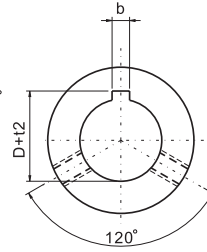
Pitch (P) 15.875mm
Internal width (W) 9.53mm
Roller Φ (Dr) 10.16mm



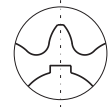
B TYPE



I



II



Keyway is located on center line of tooth.

Power Transmission Professional

Teeth	S	GD
9	6.4	29
10		34
11		39
12		44
13		49

Material: C45; Hardened Teeth

Do	Dp	BD	BL	a	Wt Kg	Type	Teeth	ϕD^{H7}
53	46.41	★34	25	5	0.20	FBN 50B	9	16 17 18 19
58	51.37	★40	25	5	0.27		10	15 16 17 18 19 20 22 24 25
64	56.35	★45.5	25	5	0.33		11	15 16 17 18 19 20 22 24 25
69	61.34	★50	25	5	0.41		12	15 16 17 18 19 20 22 24 25 28 30 32
74	66.34	★51	25	5	0.46		13	14 15 16 17 18 19 20 22 24 25 28 30 32
79	71.34	52	25	7	0.52		14	14 15 16 17 18 19 20 22 24 25 28 30 32 35
84	76.35	57	25	7	0.62		15	14 15 16 17 18 19 20 22 24 25 28 30 32 35 38
89	81.37	62	25	7	0.72		16	14 15 16 17 18 19 20 22 24 25 28 30 32 35 38 40
94	86.39	67	25	7	0.83		17	14 15 16 17 18 19 20 22 24 25 28 30 32 35 38 40 42 45
100	91.42	72	28	8	1.00		18	14 15 16 17 18 19 20 22 24 25 28 30 32 35 38 40 42 45
105	96.45	73	28	8	1.10		19	14 15 16 17 18 19 20 22 24 25 28 30 32 35 38 40 42 45
110	101.48	73	28	8	1.20		20	14 15 16 17 18 19 20 22 24 25 28 30 32 35 38 40 42 45 50
115	106.51	73	28	8	1.20		21	17 18 19 20 22 24 25 28 30 32 35 38 40 42 45
120	111.55	73	28	8	1.30		22	17 18 19 20 22 24 25 28 30 32 35 38 40 42 45
125	116.58	73	28	8	1.30		23	17 18 19 20 22 24 25 28 30 32 35 38 40 42 45
130	121.62	73	28	8	1.40		24	17 18 19 20 22 24 25 28 30 32 35 38 40 42 45
135	126.66	73	28	8	1.50		25	17 18 19 20 22 24 25 28 30 32 35 38 40 42 45
140	131.70	73	28	8	1.50		26	24 25 28 30 32 35 38 40 45
145	136.74	73	28	8	1.50		27	24 25 28 30 32 35 38 40 45
150	141.79	73	28	8	1.60		28	24 25 28 30 32 35 38 40 42 45
155	146.83	73	28	8	1.70		29	24 30
161	151.87	73	28	8	1.80		30	22 25 28 30 32 35 38 40 45
166	156.92	73	28	8	1.85		31	
171	161.96	73	28	8	1.90		32	25 28 30 32 35 38 40 45
176	167.01	73	28	8	2.00		33	35
181	172.05	73	28	8	2.10		34	25 28 30 32 35 38 40 45
186	177.10	73	28	8	2.20		35	25 28 30 32 35 38 40 45

★ Has recessed groove in hub for chain clearance

Set Screw TYPE II

Finished Bore Sprockets Asian Standard Series

FBK50B

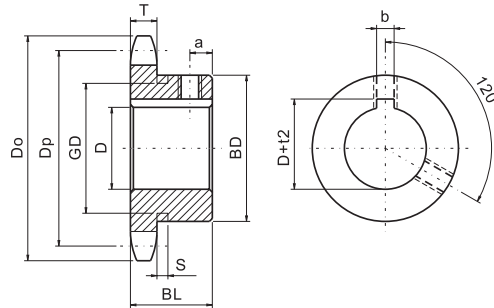
FBK50B

SPROCKETS

Tooth Width (T) 8.7mm

CHAIN

Pitch (P) 15.875mm
Internal width (W) 9.53mm
Roller Φ (Dr) 10.16mm



Keyway is located on center line of tooth.

B TYPE

Power Transmission Professional

Teeth	S	GD
9	6.4	29
10		34
11		39
12		44
13		49

Material: C45; Hardened Teeth

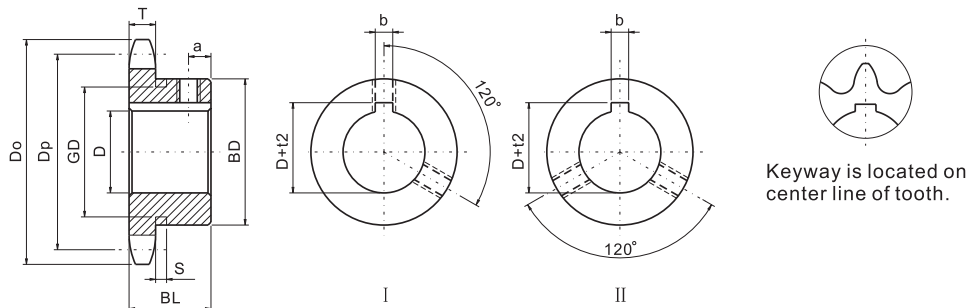
Do	Dp	BD	BL	a	Wt Kg	Type	Teeth	ϕD^{H7}
53	46.41	★34	25	5	0.20	FBK 50B	9	17
58	51.37	★40	25	5	0.27		10	15 20 25
64	56.35	★45.5	25	5	0.33		11	17 20 22 25
69	61.34	★50	25	5	0.41		12	17 18 19 20 22 24 25 28 30
74	66.34	★51	25	5	0.46		13	18 20 22 24 25 28 30 32
79	71.34	52	25	7	0.52		14	18 20 22 24 25 28 30 32 35
84	76.35	57	25	7	0.62		15	15 20 22 24 25 28 30 32 35 38
89	81.37	62	25	7	0.72		16	19 20 22 24 25 28 30 32 35 38 40
94	86.39	67	25	7	0.83		17	18 20 22 24 25 28 30 32 35 38 40
100	91.42	72	28	8	1.00		18	20 22 24 25 28 30 32 35 40
105	96.45	73	28	8	1.10		19	24 25 28 30 32 35 38 40
110	101.48	73	28	8	1.20		20	18 20 22 24 25 28 30 32 35 38 40 45 50
115	106.51	73	28	8	1.20		21	24 25 28 30 32 35 38 40
120	111.55	73	28	8	1.30		22	22 25 28 30 35 40 45
125	116.58	73	28	8	1.30		23	24 25 28 30 32 35 40
130	121.62	73	28	8	1.40		24	22 25 28 30 35 38 40
135	126.66	73	28	8	1.50		25	24 25 28 30 32 35 38 40 45
140	131.70	73	28	8	1.50		26	25 28 30 35 40
145	136.74	73	28	8	1.50		27	30 40
150	141.79	73	28	8	1.60		28	25 28 30 35 40 42
155	146.83	73	28	8	1.70		29	30
161	151.87	73	28	8	1.80		30	28 30 35 40 45
166	156.92	73	28	8	1.85		31	
171	161.96	73	28	8	1.90		32	25 30 35 40
176	167.01	73	28	8	2.00		33	35
181	172.05	73	28	8	2.10		34	30
186	177.10	73	28	8	2.20		35	25 30 35 40

★ Has recessed groove in hub for chain clearance

Finished Bore Sprockets

Asian Standard Series

FBN60B



B TYPE

FBN60B

SPROCKETS

Tooth Width (T) 11.7mm

CHAIN

Pitch (P) 19.05mm
 Internal width (W) 12.07mm
 Roller Φ (Dr) 11.91mm

Power Transmission Professional

Teeth	S	GD
9	8.0	32
10		37
11		45

Material: C45; Hardened Teeth

Do	Dp	BD	BL	a	Wt Kg	Type	Teeth	ϕD^{H7}
63	55.70	★43	32	6	0.40	FBN 60B	9	19 20 22 24
68	61.65	★49	32	6	0.49		10	19 20 22 24 25 28 30
76	67.62	★51	32	6	0.60		11	19 20 22 24 25 28 30 32
83	73.60	51	32	8	0.69		12	19 20 22 24 25 28 30 32 35
89	79.60	57	32	8	0.81		13	19 20 22 24 25 28 30 32 35 38 40
95	85.61	62	32	8	0.96		14	19 20 22 24 25 28 30 32 35 38 40
101	91.62	68	32	8	1.10		15	18 19 20 22 24 25 28 30 32 35 38 40 42 45
107	97.65	73	32	8	1.30		16	19 20 22 24 25 28 30 32 35 38 40 42 45 48 50
113	103.67	73	32	8	1.40		17	19 20 22 24 25 28 30 32 35 38 40 42 45 48 50
119	109.71	83	40	12	2.00		18	19 20 22 24 25 28 30 32 35 38 40 42 45 48 50 55
126	115.74	83	40	12	2.10		19	19 20 22 24 25 28 30 32 35 38 40 42 45 48 50 55
132	121.78	83	40	12	2.20		20	19 20 22 24 25 28 30 32 35 38 40 42 45 48 50 55
138	127.82	83	40	12	2.30		21	20 22 24 25 28 30 32 35 38 40 42 45 48 50 55
144	133.86	83	40	12	2.50		22	20 22 24 25 28 30 32 35 38 40 42 45 48 50 55
150	139.90	83	40	12	2.50		23	20 22 24 25 28 30 32 35 38 40 42 45 48 50 55
156	145.95	83	40	12	2.60		24	20 22 24 25 28 30 32 35 38 40 42 45 48 50 55
162	151.99	83	40	12	2.70		25	20 22 24 25 28 30 32 35 38 40 42 45 48 50 55
168	158.04	83	40	12	2.90		26	20 22 24 25 28 30 32 35 38 40 42 45 48 50 55
174	164.09	83	40	12	3.00		27	22 24 25 28 30 32 35 38 40 42 45 48 50
180	170.14	83	40	12	3.10		28	22 24 25 28 30 32 35 38 40 42 45 48 50
187	176.20	83	40	12	3.30		29	
193	182.25	83	40	12	3.40		30	22 24 25 28 30 32 35 38 40 42 45 48 50

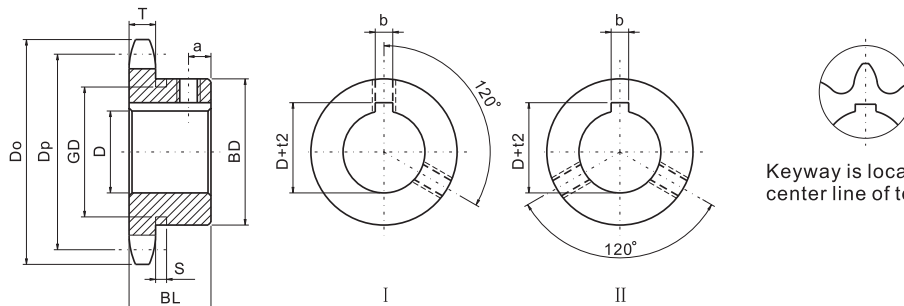
★ Has recessed groove in hub for chain clearance

Set Screw TYPE II

Finished Bore Sprockets

Asian Standard Series

FBK60B



Keyway is located on center line of tooth.

FBK60B

B TYPE

SPROCKETS

Tooth Width (T) 11.7mm

CHAIN

Pitch (P) 19.05mm

Internal width (W) 12.07mm

Roller Φ (Dr) 11.91mm

Teeth	S	GD
9	8.0	32
10		37
11		45

Power Transmission Professional

Material: C45; Hardened Teeth

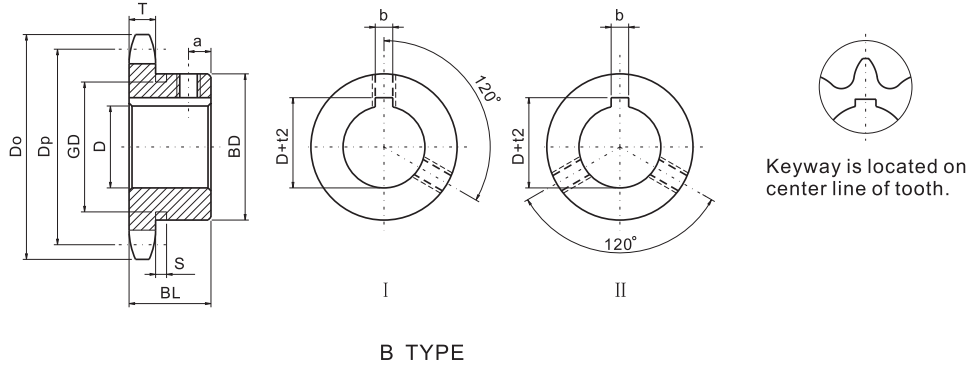
Do	Dp	BD	BL	a	Wt Kg	Type	Teeth	ϕD^{H7}
63	55.70	★43	32	6	0.40	FBK 60B	9	
68	61.65	★49	32	6	0.49		10	25
76	67.62	★51	32	6	0.60		11	25 28 30
83	73.60	51	32	8	0.69		12	24 25 28 30 32 35
89	79.60	57	32	8	0.81		13	25 28 30 32 35 38 40
95	85.61	62	32	8	0.96		14	20 25 28 30 32 35 38 40
101	91.62	68	32	8	1.10		15	18 24 25 28 30 32 35 38 40 45
107	97.65	73	32	8	1.30		16	24 25 28 30 32 35 38 40 45 48 50
113	103.67	73	32	8	1.40		17	25 28 30 32 35 38 40 45 50
119	109.71	83	40	12	2.00		18	25 28 30 32 35 38 40 45 50
126	115.74	83	40	12	2.10		19	25 28 30 32 35 38 40 45 50
132	121.78	83	40	12	2.20		20	25 28 30 32 35 38 40 45 50 [55]
138	127.82	83	40	12	2.30		21	25 28 30 32 35 38 40 45 50
144	133.86	83	40	12	2.50		22	28 30 35 40 45 50 [55]
150	139.90	83	40	12	2.50		23	28 30 35 40 45 55
156	145.95	83	40	12	2.60		24	25 30 35 38 40 45 50 [55]
162	151.99	83	40	12	2.70		25	28 30 35 40 45 50
168	158.04	83	40	12	2.90		26	30 35 40 45 50 [55]
174	164.09	83	40	12	3.00		27	30 35 40 45
180	170.14	83	40	12	3.10		28	30 35 40 45 50
187	176.20	83	40	12	3.30		29	
193	182.25	83	40	12	3.40		30	35 40 45 50

★ Has recessed groove in hub for chain clearance

Set Screw TYPE II

Finished Bore Sprockets Asian Standard Series

FBN80B



FBN80B

SPROCKETS

Tooth Width (T) 14.6mm

CHAIN

Pitch (P) 25.4mm
Internal width (W) 15.88mm
Roller Φ (Dr) 15.88mm

Teeth	S	GD
9	10.4	44

Material: C45; Hardened Teeth

Power Transmission Professional

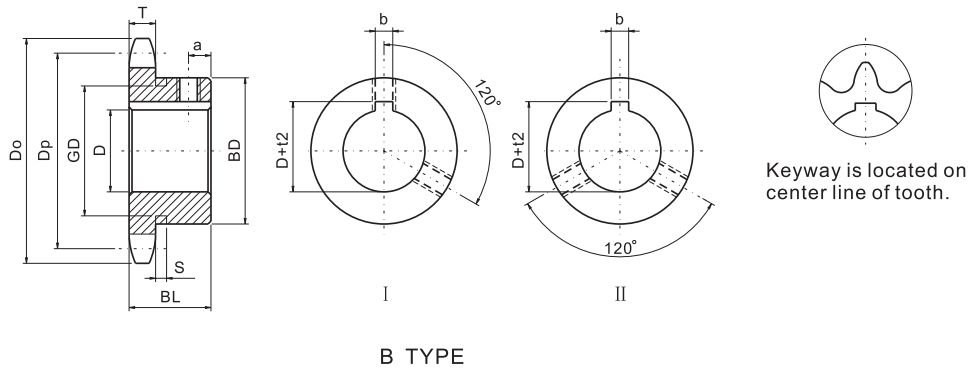
Do	Dp	BD	BL	a	Wt Kg	Type	Teeth	ϕD^{H7}
85	74.27	★58	40	7	0.87	FBN 80B	9	25 28 30 32 35
93	82.19	52	40	12	1.02		10	25 28 30 32
102	90.16	60	40	12	1.25		11	25 28 30 32 35 38
110	98.14	67	40	12	1.60		12	25 28 30 32 35 38 40 42 45
118	106.14	77	40	12	1.90		13	25 28 30 32 35 38 40 42 45 48 50
127	114.15	77	40	12	2.15		14	25 28 30 32 35 38 40 42 45 48 50
135	122.17	93	40	12	2.30		15	25 28 30 32 35 38 40 42 45 48 50 55 60
143	130.20	93	40	12	2.50		16	24 25 28 30 32 35 38 40 42 45 48 50 55 60
151	138.23	93	40	12	2.95		17	25 28 30 32 35 38 40 42 45 48 50 55 60
159	146.27	93	40	12	3.15		18	25 28 30 32 35 38 40 42 45 48 50 55 60
167	154.32	93	40	12	3.40		19	25 28 30 32 35 38 40 42 45 48 50 55 60
176	162.37	93	40	12	3.60		20	25 28 30 32 35 38 40 42 45 48 50 55 60
184	170.42	93	40	12	3.85		21	25 28 30 32 35 38 40 42 45 48 50 55 60

★ Has recessed groove in hub for chain clearance

Set Screw TYPE II

Finished Bore Sprockets Asian Standard Series

FBK80B



FBK80B

SPROCKETS

Tooth Width (T) 14.6mm

CHAIN

Pitch (P) 25.4mm
Internal width (W) 15.88mm
Roller Φ (Dr) 15.88mm

Teeth	S	GD
9	10.4	44

Material: C45; Hardened Teeth

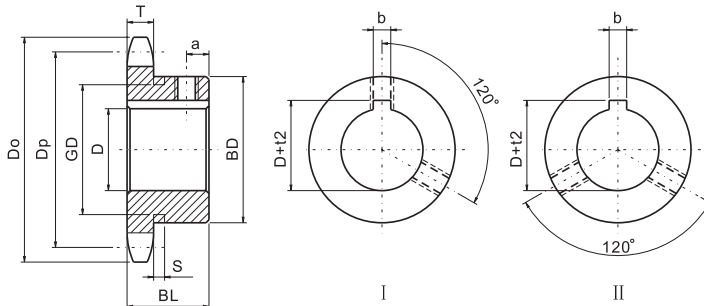
Power Transmission Professional

Do	Dp	BD	BL	a	Wt Kg	Type	Teeth	ϕD^{H7}
85	74.27	★58	40	7	0.87	FBK 80B	9	
93	82.19	52	40	12	1.02		10	
102	90.16	60	40	12	1.25		11	35 38
110	98.14	67	40	12	1.60		12	32 35 38 40 45
118	106.14	77	40	12	1.90		13	30 32 35 38 40 45 50
127	114.15	77	40	12	2.15		14	35 38 40 45 50
135	122.17	93	40	12	2.30		15	32 35 38 40 45 48 50 55 60
143	130.20	93	40	12	2.50		16	32 38 40 45 50 60
151	138.23	93	40	12	2.95		17	38 40 45 50 55 60
159	146.27	93	40	12	3.15		18	25 32 38 40 45 50 60
167	154.32	93	40	12	3.40		19	35 40 45 50 55 60
176	162.37	93	40	12	3.60		20	40 45 50 55 60
184	170.42	93	40	12	3.85		21	40 45 50 55

★ Has recessed groove in hub for chain clearance

Finished Bore Sprockets Asian Standard Series

FBN100B FBN120B



B TYPE

Keyway is located on center line of tooth.

FBN100B

SPROCKETS

Tooth Width (T) 17.6mm

CHAIN

Pitch (P) 31.75mm
Internal width (W) 19.05mm
Roller Φ (Dr) 19.05mm

Material:C45;Hardened Teeth

Do	Dp	BD	BL	a	Wt Kg	Type	Teeth	ϕD^{H7}
117	102.75	65	50	16	1.90	FBN 100B	10	25 28 30 32 35 38 40 42
127	112.70	75	50	16	2.30		11	25 28 30 32 35 38 40 42 45 48 50
138	122.67	86	50	16	2.90		12	25 28 30 32 35 38 40 42 45 48 50 55
148	132.67	94	50	16	3.10		13	25 28 30 32 35 38 40 42 45 48 50 55
158	142.68	98	50	16	3.60		14	25 28 30 32 35 38 40 42 45 48 50 55 60
168	152.71	98	50	16	4.20		15	32 35 38 40 42 45 48 50 55 60
179	162.74	98	50	16	4.60		16	38 45 50 55 60
189	172.79	107	50	16	5.30		17	38 45 50 60
199	182.84	107	50	16	5.70		18	38 45 50 60
209	192.90	107	50	16	6.10		19	38 45 50 60
220	202.96	107	50	16	6.50		20	38 45 50 60
230	213.03	107	50	16	7.00		21	45 50 60

FBN120B

SPROCKETS

Tooth Width (T) 23.5mm

CHAIN

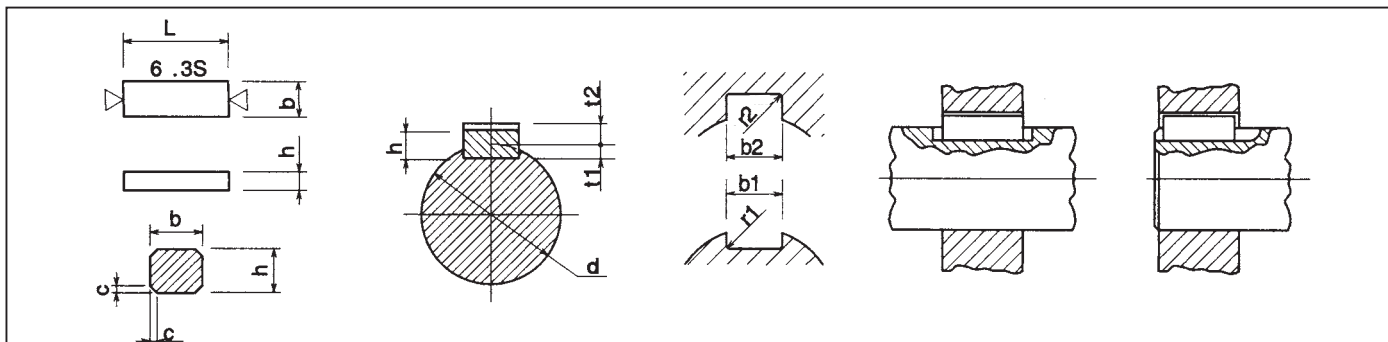
Pitch (P) 38.10mm
Internal width (W) 25.40mm
Roller Φ (Dr) 22.23mm

Material:C45;Hardened Teeth

Do	Dp	BD	BL	a	Wt Kg	Type	Teeth	ϕD^{H7}
140	123.29	78	56	16	3.20	FBN 120B	10	
153	135.24	91	56	16	4.00		11	
165	147.21	98	56	16	4.80		12	
177	159.20	98	56	16	5.30		13	45 48 50 55 60
190	171.22	107	56	16	6.30		14	45 48 50 55 60
202	183.25	117	63	16	7.80		15	45 48 50 55 60
214	195.29	117	63	16	8.40		16	50 60
227	207.35	117	63	16	9.10		17	
239	219.41	117	63	16	9.90		18	50 60
251	231.48	117	63	16	10.70		19	60
263	243.55	127	63	16	12.10		20	50 60
276	255.63	127	63	16	13.00		21	50 60

Finished Bore Sprockets

Asian Standard Series



New standard (JISB1301-1976)

d	b × h	Key					Keyway								Set screw	
		b	Tolerance h9	h	Tolerance	C	L	b2 b1	b1 Tolerance P9	b2 Tolerance N9	B2 Tolerance N9	b2 Tolerance Js9	r1 r2	t1		t2
6 to 8	2×2	2	0	2	0	0.16	6 ~ 20	2	-0.006	-0.004	±0.0125	0.08	1.2	1.0	+0.1 0	1-M4
8 to 10	3×3	3	-0.025	3	-0.025	0.25	6 ~ 36	3	-0.031	-0.029	±0.0125	0.16	1.8	1.4		1-M5
10 to 12	4×4	4	0	4	0	0.25	8 ~ 45	4	-0.012	0	±0.0150	0.16	2.5	1.8		1-M6
12 to 17	5×5	5	-0.030	5	-0.030	0.40	10 ~ 56	5	-0.042	-0.030	±0.0150	0.25	3.0	2.3		
17 to 22	6×6	6	0	6	0	0.40	14 ~ 70	6	-0.015	0	±0.0180	0.25	3.5	2.8		
22 to 30	8×7	8	0	7	0	0.40	18 ~ 90	8	-0.015	0	±0.0180	0.25	4.0	3.3	+0.2 0	2-M8
30 to 38	10×8	10	-0.036	8	0	0.40	22 ~ 110	10	-0.051	-0.036	±0.0180	0.25	5.0	3.3		
38 to 44	12×8	12	0	8	-0.090	0.60	28 ~ 140	12	-0.018	0	±0.0215	0.40	5.0	3.3		2-M10
44 to 50	14×9	14	0	9	0	0.60	36 ~ 160	14	-0.061	-0.043	±0.0215	0.40	5.5	3.8		
50 to 58	16×10	16	-0.043	10	0	0.60	45 ~ 180	16	-0.061	-0.043	±0.0215	0.40	6.0	4.3	+0.2 0	2-M12
58 to 65	18×11	18	0	11	0	0.80	50 ~ 200	18	-0.022	0	±0.0260	0.40	7.0	4.4		
65 to 75	20×12	20	0	12	0	0.80	56 ~ 220	20	-0.022	0	±0.0260	0.60	7.5	4.9		2-M16
75 to 85	22×14	22	-0.052	14	-0.110	0.80	63 ~ 250	22	-0.074	-0.052	±0.0260	0.60	9.0	5.4		
85 to 95	25×14	25	0	14	0	1.00	70 ~ 280	25	-0.074	-0.052	±0.0260	0.60	9.0	5.4	+0.3 0	2-M20
95 to 110	28×16	28	0	16	0	1.00	80 ~ 320	28	-0.074	-0.052	±0.0260	0.60	10.0	6.4		
110 to 130	32×18	32	-0.062	18	-0.130	1.20	90 ~ 360	32	-0.074	-0.052	±0.0260	0.60	11.0	7.4		
130 to 150	36×20	36	0	20	0	1.00	—	36	-0.026	0	±0.0310	0.70	12.0	8.4	+0.3 0	2-M24
150 to 170	40×22	40	-0.062	22	0	1.00	—	40	-0.088	-0.062	±0.0310	0.70	13.0	9.4		
170 to 200	45×25	45	0	25	-0.130	1.20	—	45	-0.088	-0.062	±0.0310	0.70	15.0	10.4		
200 to 230	50×28	50	0	28	-0.130	1.20	—	50	-0.088	-0.062	±0.0310	1.00	17.0	11.4		

Old standard (JISB1301-1959)

d	b × h	Key				C	L	Keyway								Set screw		
		TYPE 1		TYPE 2				b2 b1	TYPE 1		TYPE 2		r1 r2	t1	t2		t1 t2	
		b	h	b	h				b1	b2	b1	b2						
10 to 13	4×4	+0.024	0	0	0	0.5	10 ~ 45	4	+0.018	+0.022	+0.030	+0.050	0.4	2.5	1.5	Type 1	1-M5	
13 to 20	5×5	+0.012	-0.030	-0.018	-0.048	0.5	10 ~ 56	5	0	+0.010	0	+0.020	0.4	3	2		1-M6	
20 to 30	7×7	+0.030	0	0	0	0.8	14 ~ 90	7	+0.022	+0.028	+0.036	+0.061	0.6	4.5	3.5	+0.05 0	2-M8	
30 to 40	10×8	+0.015	0	-0.022	0	0.8	18 ~ 112	10	0	+0.013	0	+0.025	0.6	4.5	3.5		2-M10	
40 to 50	12×8	+0.036	-0.027	0	-0.058	0.8	22 ~ 140	12	+0.027	+0.034	+0.043	+0.075	0.6	5	5	Type 2	2-M12	
50 to 60	15×10	+0.018	0	-0.027	0	1.2	28 ~ 160	15	0	+0.016	0	+0.032	0.6	6	6		2-M16	
60 to 70	18×12	+0.043	-0.043	0	0	1.2	36 ~ 200	18	0	+0.016	0	+0.032	1.0	6	6	+0.100 0	2-M16	
70 to 80	20×13	+0.022	0	-0.033	-0.070	1.2	45 ~ 224	20	+0.033	+0.041	+0.052	+0.092	1.0	7	8		2-M20	
80 to 95	24×16	+0.022	0	-0.033	-0.070	1.2	56 ~ 250	24	0	+0.020	0	+0.040	1.6	8	8	Type 1 0	2-M20	
95 to 110	28×18	+0.022	0	-0.033	-0.070	1.2	63 ~ 315	28	0	+0.020	0	+0.040	1.6	9	9			
110 to 125	32×20	+0.051	0	0	0	2.0	80 ~ 355	32	0	+0.020	0	+0.040	1.6	10	10		+0.075 0	2-M24
125 to 140	35×22	+0.026	-0.052	-0.039	-0.084	2.0	100 ~ 400	35	+0.039	+0.050	+0.062	+0.112	1.6	11	11			
140 to 160	38×24	+0.026	-0.052	-0.039	-0.084	2.0	112 ~ 400	38	0	+0.025	0	+0.050	1.6	12	12	+0.150 0	2-M24	
160 to 180	42×26	+0.026	-0.052	-0.039	-0.084	2.0	140 ~ 450	42	0	+0.025	0	+0.050	1.6	13	13			
180 to 200	45×28	+0.026	-0.052	-0.039	-0.084	2.0	160 ~ 450	45	0	+0.025	0	+0.050	1.6	14	14	Type 2	2-M24	
200 to 224	50×31.5	+0.062	-0.062	0	-0.100	2.0	180 ~ 450	50	+0.046	+0.060	+0.074	+0.134	1.6	16	15.5			
224 to 250	56×35.5	+0.032	-0.062	-0.046	-0.100	2.0	200 ~ 450	56	0	+0.030	0	+0.060	1.6	18	17.5	0		

Stock Bore Sprockets (NK) Asian Standard Series

NK11SSB NK15B

Type	Teeth	Form	Do	Dp	Bore d		BD	BL	Set screw	Wt g	Material
					Min	Max					
NK11SSB	12	B-I	16.2	14.475	4	6	9.4	10.5	M3×0.5	5.9	SUS304 Solid
	15		19.9	18.020	4	9	13			11.5	
	16		21.1	19.204	4	9	14			13.5	
	18		23.5	21.575	4	11	16			17.7	
	20		25.9	23.949	6	13	19			23.3	
	24		30.7	28.703	6	13	19			25.7	
	28		35.5	33.462	6	13	19			28.7	
	30	B-II	37.9	35.842	6	13	19		M4×0.7	29.7	
	34		42.7	40.604						37.9	
	36		45.1	42.986						40.7	
	40		49.8	47.751						46.5	
	48		59.4	57.283						60.5	

○ NK11SSB

SPROCKETS

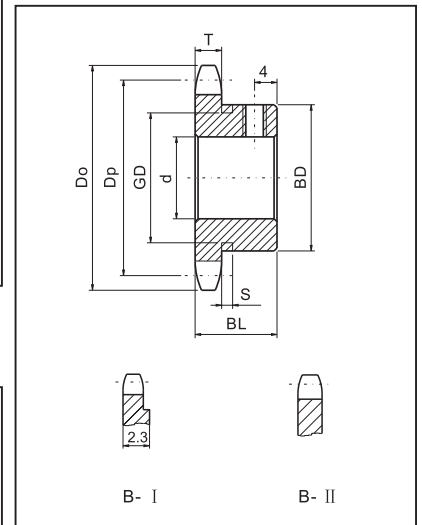
Tooth Width (T) 1.6mm

CHAIN

Pitch (P) 3.7465mm

Internal width (W) 1.83mm

RollerΦ (Dr) 2.285mm



Type	Teeth	Do	Dp	Bore d			BD	BL	Wt g	Material
				Stock	Min	Max				
NK 15B	11	19.0	16.90	4	5	7	11	10	9	C45 Solid
	12	20.5	18.40	4	5	8	12	10	10	
	13	22.0	19.90	4	5	9	14	10	14	
	14	23.5	21.40	6	7	10	15	12	17	
	15	25.0	22.91	6	7	12	17	12	22	
	16	26.5	24.41	8	9	12	18	12	23	
	17	28.0	25.92	8	9	14	20	14	32	
	18	29.5	27.43	8	9	14	22	14	40	
	19	31.0	28.93	8	9	15	23	14	44	
	20	32.5	30.44	8	9	15	24	14	49	
	21	34.0	31.95	8	9	17	26	14	57	
	22	35.5	33.46	8	9	17	27	14	62	
	23	37.5	34.98	8	9	17	28	14	68	
	24	39.0	36.49	8	9	20	30	16	88	
	25	40.5	38.00	8	9	20	32	16	100	
	26	42.0	39.51	10	11	22	33	16	104	
	27	43.5	41.02	10	11	25	35	16	117	
	28	45.0	42.54	10	11	25	37	16	131	
	29	46.5	44.05	10	11	25	38	16	139	
	30	48.0	45.56	10	11	25	39	16	147	
31	49.5	47.08	10	11	25	40	18	175		
32	51.0	48.59	10	11	25	40	18	176		
33	52.5	50.10	10	11	25	40	18	178		
34	54.0	51.62	10	11	25	40	18	180		
35	55.5	53.13	10	11	25	40	18	182		

○ NK15B

SPROCKETS

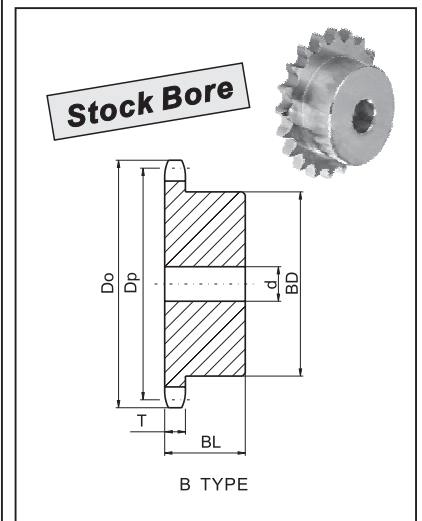
Tooth Width (T) 2.0mm

CHAIN

Pitch (P) 4.7625mm

Internal width (W) 2.38mm

RollerΦ (Dr) 2.48mm



Stock Bore Sprockets (NK)

Asian Standard Series

NK25B

Type	Teeth	Do	Dp	Bore d			BD	BL	Wt g	Material
				Stock	Min	Max				
NK 25B	10	23	20.55	6.5	8.5	8.5	14	15	30	C45 Solid
	11	25	22.54	6.5	8.5	8.5	15	15	30	
	12	28	24.53	7.5	9.5	9.5	15	15	30	
	13	30	26.53	7.5	9.5	10	18	15	50	
	14	32	28.54	7.5	9.5	10	20	15	50	
	15	34	30.54	7.5	9.5	10	20	15	50	
	16	36	32.55	9.5	11.5	12	25	15	60	
	17	38	34.56	9.5	11.5	12	25	15	70	
	18	40	36.57	9.5	11.5	12	25	15	70	
	19	42	38.58	9.5	11.5	16	28	15	80	
	20	44	40.59	9.5	11.5	16	28	15	80	
	21	46	42.61	9.5	11.5	16	28	15	90	
	22	48	44.65	9.5	11.5	16	30	15	100	
	23	50	46.63	9.5	11.5	16	30	15	110	
	24	52	48.65	9.5	11.5	16	30	15	120	
	25	54	50.66	9.5	11.5	20	35	15	140	
	26	56	52.68	9.5	11.5	20	35	15	140	
	27	58	54.70	9.5	11.5	20	35	15	150	
	28	60	56.71	9.5	11.5	20	35	15	150	
	29	62	58.73	9.5	11.5	20	35	15	160	
	30	64	60.75	9.5	11.5	20	35	15	160	
	31	66	62.77	10.5	12.5	22	40	20	200	
	32	68	64.78	10.5	12.5	22	40	20	200	
	33	70	66.80	10.5	12.5	22	40	20	210	
	34	72	68.82	10.5	12.5	22	40	20	210	
	35	74	70.84	10.5	12.5	22	40	20	210	
	36	76	72.86	10.5	12.5	22	40	20	220	
	37	78	74.88	10.5	12.5	22	40	20	260	
	38	80	76.90	10.5	12.5	22	40	20	260	
	39	82	78.91	10.5	12.5	22	40	20	270	
	40	84	80.93	10.5	12.5	22	40	20	270	
	41	87	82.95	10.5	12.5	30	50	20	320	
42	89	84.97	10.5	12.5	30	50	20	320		
43	91	86.99	10.5	12.5	30	50	20	400		
44	93	89.01	10.5	12.5	30	50	20	410		
45	95	91.03	10.5	12.5	30	50	20	410		
48	101	97.09	10.5	12.5	30	50	20	430		
50	105	101.13	10.5	12.5	30	50	20	460		
54	113	109.21	10.5	12.5	30	50	20	470		
60	125	121.33	10.5	12.5	30	50	20	520		
65	135	131.43	11.5	13.5	30	50	20	720		
70	145	141.54	11.5	13.5	30	50	20	770		
75	155	151.64	11.5	13.5	30	50	20	820		
80	165	161.74	11.5	13.5	30	50	20	880		

NK25B

SPROCKETS

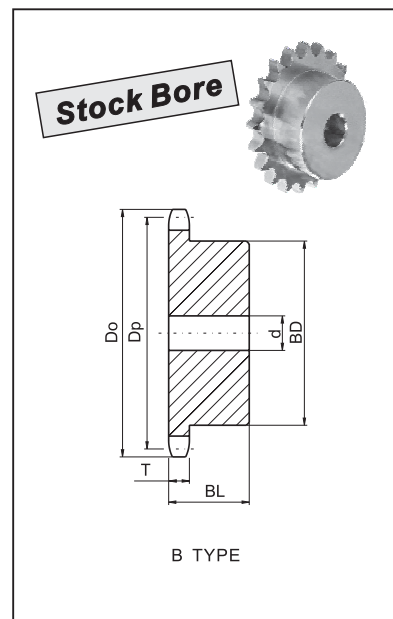
Tooth Width (T) 2.8mm

CHAIN

Pitch (P) 6.35mm

Internal width (W) 3.18mm

Roller Φ (Dr) 3.3mm



Stock Bore Sprockets (NK)

Asian Standard Series

NK35B

□ NK35B

Type	Teeth	Do	Dp	Bore d			BD	BL	Wt kg	Material
				Stock	Min	Max				
NK 35B	9	32	27.85	8.5	10.5	11	★21.5	20	0.06	C45 Solid Hardened Teeth
	10	34	30.82	8.5	10.5	12	★24.5	20	0.08	
	11	38	33.81	9.5	11.5	14	★27	20	0.09	
	12	41	36.81	9.5	11.5	16	★30.5	20	0.12	
	13	44	39.80	9.5	11.5	18	★32	20	0.12	
	14	47	42.81	9.5	11.5	18	32	20	0.12	
	15	51	45.81	9.5	11.5	20	35	20	0.16	
	16	54	48.82	9.5	11.5	20	37	20	0.19	
	17	57	51.84	11.5	13.5	25	41	20	0.22	
	18	60	54.85	11.5	13.5	25	44	20	0.25	
	19	63	57.87	11.5	13.5	28	47	20	0.28	
	20	66	60.89	11.5	13.5	30	50	20	0.32	
	21	69	63.91	11.5	13.5	32	53	20	0.36	
	22	72	66.93	11.5	13.5	35	56	20	0.37	
	23	75	69.95	11.5	13.5	38	60	20	0.38	
	24	78	72.97	11.5	13.5	32	53	22	0.43	
	25	81	76.00	11.5	13.5	32	53	22	0.44	
	26	84	79.02	11.5	13.5	32	53	22	0.45	
	27	87	82.05	11.5	13.5	32	53	22	0.46	
	28	90	85.07	11.5	13.5	32	53	22	0.48	
	29	93	88.10	11.5	13.5	32	53	22	0.49	
	30	96	91.12	11.5	13.5	32	53	22	0.51	
	31	99	94.15	11.5	13.5	32	53	22	0.53	
	32	102	97.18	11.5	13.5	32	53	22	0.54	
	33	105	100.20	11.5	13.5	32	53	22	0.56	
	34	109	103.23	11.5	13.5	32	53	22	0.57	
	35	112	106.26	11.5	13.5	32	53	22	0.59	
	36	115	109.29	12.5	14.5	32	53	22	0.61	
	37	118	112.31	12.5	14.5	42	63	25	0.80	
	38	121	115.34	12.5	14.5	42	63	25	0.82	
	39	124	118.37	12.5	14.5	42	63	25	0.84	
	40	127	121.40	12.5	14.5	42	63	25	0.85	
	41	130	124.43	16	18	42	63	25	0.91	
	42	133	127.46	16	18	42	63	25	0.93	
	43	136	130.49	16	18	42	63	25	0.95	
	44	139	133.52	16	18	42	63	25	0.97	
	45	142	136.55	16	18	42	63	25	1.00	
	46	145	139.58	16	18	42	63	25	1.01	
	47	148	142.61	16	18	42	63	25	1.03	
	48	151	145.64	16	18	42	63	25	1.05	
50	157	151.70	16	18	42	63	25	1.07		
53	166	160.78	16	18	42	63	25	1.09		
54	169	163.81	16	18	42	63	25	1.10		
55	172	166.85	16	18	42	63	25	1.25		
60	187	182.00	16	18	42	63	25	1.30		
64	200	194.12	16	18	42	63	25	1.46		
65	203	197.15	16	18	45	68	25	1.67		
70	218	212.30	16	18	45	68	25	1.80		
75	233	227.46	16	18	45	68	25	1.90		
80	248	242.61	16	18	45	68	25	2.40		
									Fe360 Welding	

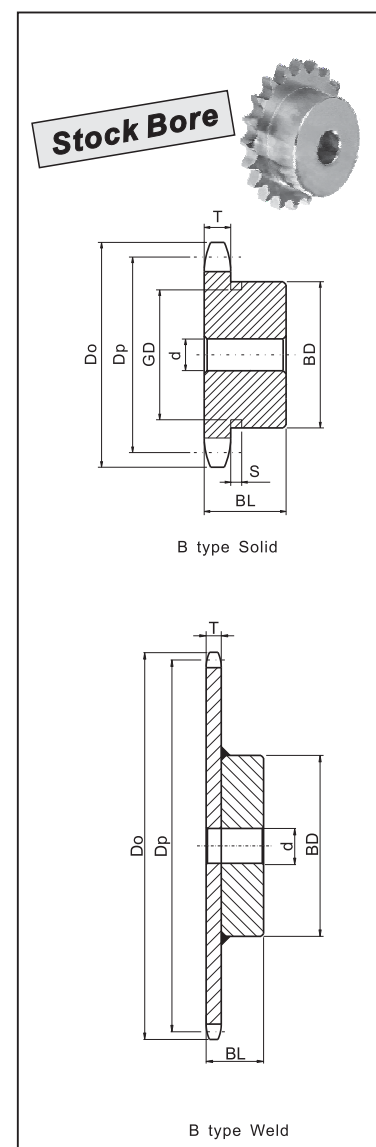
★ Has recessed groove in hub for chain clearance

SPROCKETS

Tooth Width (T) 4.3mm

CHAIN

Pitch (P) 9.525mm
Internal width (W) 4.78mm
Roller^Φ (Dr) 5.08mm



Teeth	S	GD
9	4.4	17
10		20
11		23
12		26
13		29

Stock Bore Sprockets (NK)

Asian Standard Series

NK410B

□ NK410B

SPROCKETS

Tooth Width (T) 2.8mm

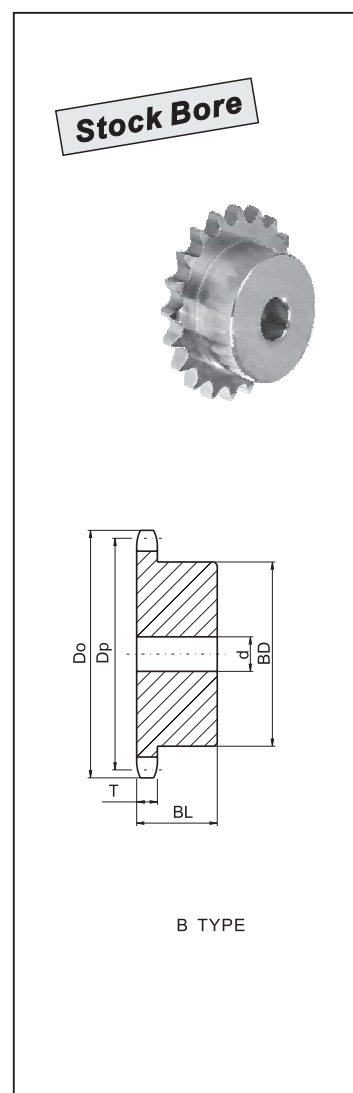
CHAIN

Pitch (P) 12.70mm

Internal width (W) 3.40mm

Roller ϕ (Dr) 7.77mm

Type	Teeth	Do	Dp	Bore d			BD	BL	Wt kg	Material
				Stock	Min	Max				
NK 410B	10	46	41.10	9.5	11.5	16	28	20	0.14	C45 Solid
	11	51	45.08	10.5	12.5	16	30	20	0.19	
	12	55	49.07	11.5	13.5	18	34	20	0.22	
	13	59	53.07	13.5	15.5	20	38	20	0.23	
	14	63	57.07	13.5	15.5	25	42	20	0.28	
	15	67	61.08	13.5	15.5	28	46	20	0.34	
	16	71	65.10	13.5	15.5	30	50	20	0.40	
	17	76	69.12	13.5	15.5	32	54	22	0.46	
	18	80	73.14	13.5	15.5	35	57	22	0.51	
	19	84	77.16	13.5	15.5	40	62	22	0.59	
	20	88	81.18	14	16	45	67	25	0.76	
	21	92	85.21	14	16	48	71	25	0.85	
	22	96	89.24	14	16	51	75	25	0.95	
	23	100	93.27	14	16	51	77	25	1.00	
	24	104	97.30	14	16	42	63	25	0.84	
	25	108	101.33	14	16	42	63	25	0.88	
	26	112	105.36	14	16	42	63	25	0.92	
	27	116	109.40	14	16	42	63	25	0.96	
	28	120	113.43	14	16	42	63	25	1.00	
	29	124	117.46	14	16	42	63	25	1.00	
30	128	121.50	14	16	42	63	25	1.10		
32	137	129.57	14	16	45	68	28	1.30		
34	145	137.64	14	16	45	68	28	1.30		
35	149	141.68	14	16	45	68	28	1.40		
36	153	145.72	16	18	45	68	28	1.50		
40	169	161.87	16	18	45	68	28	1.70		



Stock Bore Sprockets (NK)

Asian Standard Series

NK40B

Type	Teeth	Do	Dp	Bore d			BD	BL	Wt kg	Material
				Stock	Min	Max				
NK 40B	9	42	37.13	8.5	10.5	16	★28	22	0.11	C45 Solid Hardened Teeth
	10	46	41.10	9.5	11.5	18	★32	22	0.14	
	11	51	45.08	10.5	12.5	20	★36	22	0.19	
	12	55	49.07	11.5	13.5	22	★40	22	0.22	
	13	59	53.07	13.5	15.5	20	37	22	0.23	
	14	63	57.07	13.5	15.5	25	42	22	0.28	
	15	67	61.08	13.5	15.5	28	46	22	0.34	
	16	71	65.10	13.5	15.5	30	50	22	0.40	
	17	76	69.12	13.5	15.5	32	54	22	0.46	
	18	80	73.14	13.5	15.5	35	57	22	0.51	
	19	84	77.16	13.5	15.5	40	62	22	0.59	
	20	88	81.18	14	16	45	67	25	0.76	
	21	92	85.21	14	16	48	71	25	0.85	
	22	96	89.24	14	16	51	75	25	0.95	
	23	100	93.27	14	16	51	77	25	1.00	
	24	104	97.30	14	16	42	63	25	0.84	
	25	108	101.33	14	16	42	63	25	0.88	
	26	112	105.36	13	16	42	63	25	0.92	
	27	116	109.40	13	16	42	63	25	0.96	
	28	120	113.43	13	16	42	63	25	1.00	
	29	124	117.46	13	16	42	63	25	1.00	
	30	128	121.50	13	16	42	63	25	1.10	
	31	133	125.53	14	16	45	68	28	1.20	
	32	137	129.57	14	16	45	68	28	1.30	
	33	141	133.61	14	16	45	68	28	1.30	
	34	145	137.64	14	16	45	68	28	1.30	
	35	149	141.68	14	16	45	68	28	1.40	
	36	153	145.72	16	18	45	68	28	1.50	
	37	157	149.75	16	18	45	68	28	1.55	
	38	161	153.79	16	18	45	68	28	1.60	
	39	165	157.83	16	18	45	68	28	1.65	
	40	169	161.87	16	18	45	68	28	1.70	
	41	173	165.91	16	18	48	73	32	2.00	
	42	177	169.95	16	18	48	73	32	2.05	
	43	181	173.98	16	18	48	73	32	2.10	
	44	185	178.02	16	18	48	73	32	2.17	
	45	189	182.06	16	18	48	73	32	2.25	
	46	193	186.10	16	18	48	73	32	2.30	
	47	197	190.14	16	18	48	73	32	2.37	
	48	201	194.18	16	18	48	73	32	2.45	
49	205	198.22	16	18	48	73	32	2.51		
50	209	202.26	16	18	48	73	32	2.60		
51	214	206.30	16	18	48	73	32	2.65		
52	218	210.34	16	18	48	73	32	2.72		
53	222	214.38	16	18	48	73	32	2.80		
54	226	218.42	16	18	48	73	32	2.90		
55	230	222.46	16	18	48	73	32	2.96		
56	234	226.50	16	18	48	73	32	3.04		
60	250	242.66	16	18	48	73	32	3.40		
64	266	258.83	16	18	48	73	32	3.73		
65	270	262.87	16	18	55	83	32	4.10		
68	282	274.99	16	18	55	83	32	4.35		
70	290	283.07	16	18	55	83	32	4.57		
72	299	291.16	20	22	55	83	32	4.80		
75	311	303.28	20	22	55	83	32	5.10		
80	331	323.49	20	22	60	88	35	5.90		
85	351	343.69	20	22	60	88	35	6.50		
90	371	363.90	20	22	60	88	35	7.15		

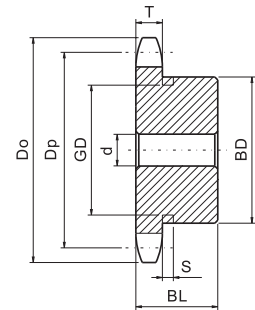
NK40B

SPROCKETS

Tooth Width (T) 7.2mm

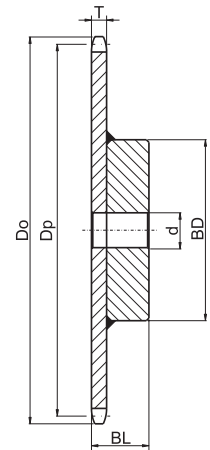
CHAIN

Pitch (P) 12.7mm
Internal width (W) 7.95mm
Roller Φ (Dr) 7.95mm



B type Solid

Stock Bore



B Type Weld

Teeth	S	GD
9	5.2	23
10		27
11		31
12		35

★ Has recessed groove in hub for chain clearance

Stock Bore Sprockets (NK)

Asian Standard Series

NK50B

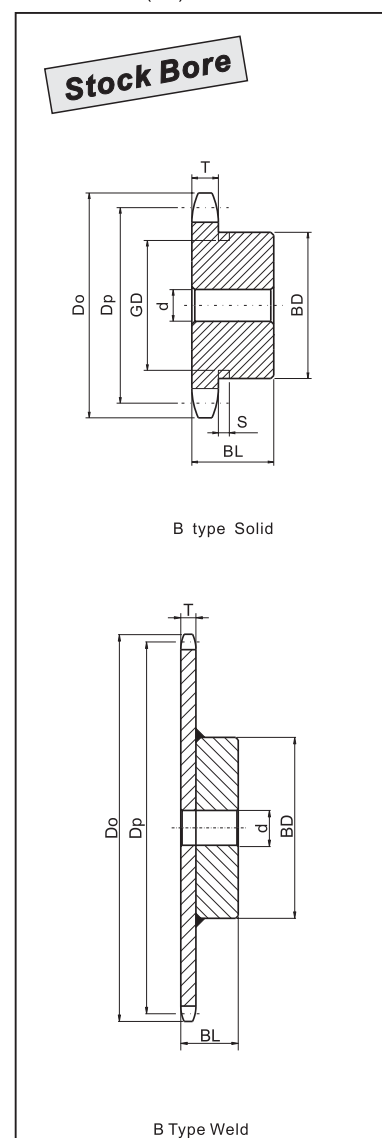
○ NK50B

SPROCKETS

Tooth Width (T) 8.7mm

CHAIN

Pitch (P) 15.875mm
Internal width (W) 9.53mm
Roller Φ (Dr) 10.16mm



Teeth	S	GD
8	6.4	22
9		29
10		34
11		39
12		44
13		49

Type	Teeth	Do	Dp	Bore d			BD	BL	Wt kg	Material
				Stock	Min	Max				
NK 50B	8	48	41.48	11.5	13.5	13.5	★22	25	0.12	C45 Solid Hardened Teeth
	9	53	46.42	11.5	13.5	18	★34	25	0.20	
	10	58	51.37	14.5	16.5	22	★40	25	0.27	
	11	64	56.35	14.5	16.5	28	★45.5	25	0.33	
	12	69	61.34	14.5	16.5	30	★50	25	0.41	
	13	74	66.34	14.5	16.5	32	★51	25	0.46	
	14	79	71.34	14.5	16.5	32	52	25	0.52	
	15	84	76.35	14.5	16.5	35	57	25	0.62	
	16	89	81.37	14	16	40	62	25	0.72	
	17	94	86.39	14	16	45	67	25	0.83	
	18	100	91.42	14	16	48	72	28	1.00	
	19	105	96.45	14	16	48	73	28	1.10	
	20	110	101.48	14	16	48	73	28	1.20	
	21	115	106.51	14	16	48	73	28	1.20	
	22	120	111.55	16	18	48	73	28	1.30	
	23	125	116.58	16	18	48	73	28	1.30	
	24	130	121.62	16	18	48	73	28	1.40	
	25	135	126.66	16	18	48	73	28	1.50	
	26	140	131.70	16	18	48	73	28	1.50	
	27	145	136.74	16	18	48	73	28	1.50	
	28	150	141.79	16	18	48	73	28	1.60	
	29	155	146.83	16	18	48	73	28	1.70	
	30	161	151.87	16	18	48	73	28	1.80	
	31	166	156.92	16	18	48	73	28	1.85	
	32	171	161.96	16	18	48	73	28	1.90	
	33	176	167.01	16	18	48	73	28	2.00	
	34	181	172.05	16	18	48	73	28	2.10	
	35	186	177.10	16	18	48	73	28	2.20	
	36	191	182.14	16	18	55	83	35	2.85	
	37	196	187.19	16	18	55	83	35	2.95	
	38	201	192.24	16	18	55	83	35	3.05	
	39	206	197.29	16	18	55	83	35	3.15	
	40	211	202.33	16	18	55	83	35	3.25	
	41	216	207.38	16	18	55	83	35	3.40	
	42	221	212.43	16	18	55	83	35	3.50	
	43	226	217.48	16	18	55	83	35	3.60	
	44	231	222.53	16	18	55	83	35	3.70	
	45	237	227.58	16	18	55	83	35	3.85	
	46	242	232.63	16	18	55	83	35	3.96	
	47	247	237.68	16	18	55	83	35	4.09	
48	252	242.73	16	18	55	83	35	4.20		
49	257	247.78	16	18	55	83	35	4.35		
50	262	252.83	16	18	55	83	35	4.50		
51	267	257.88	16	18	55	83	35	4.62		
52	272	262.92	16	18	55	83	35	4.76		
53	277	267.97	16	18	55	83	35	4.91		
54	282	273.02	16	18	55	83	35	5.05		
55	287	278.08	16	18	55	83	35	5.20		
56	292	283.13	16	18	55	83	35	5.36		
57	297	288.18	16	18	55	83	35	5.51		
58	302	293.23	16	18	55	83	35	5.67		
60	312	303.33	16	18	55	83	35	6.00		
65	338	328.58	20	22	63	93	40	7.40		
68	353	343.74	20	22	63	93	40	7.94		
70	363	353.84	20	22	63	93	40	8.30		
75	388	379.10	20	22	63	93	40	9.35		
80	414	404.36	20	22	63	98	45	10.50		
85	439	429.62	20	22	63	98	45	12.00		
90	464	454.88	20	22	63	98	45	13.20		

★ Has recessed groove in hub for chain clearance

Stock Bore Sprockets (NK)

Asian Standard Series

NK60B

□ NK60B

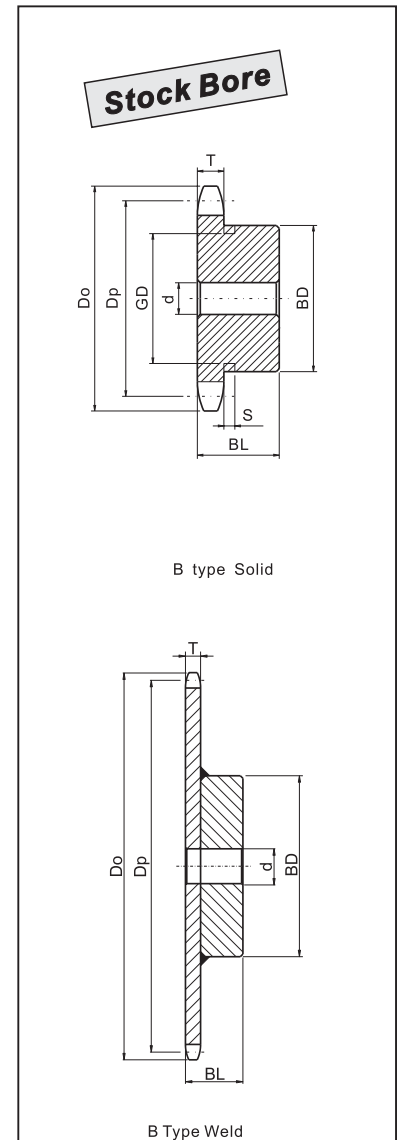
Type	Teeth	Do	Dp	Bore d			BD	BL	Wt kg	Material
				Stock	Min	Max				
NK 60B	9	63	55.70	11.5	13.5	25	★43	32	0.40	C45 Solid Hardened Teeth
	10	68	61.65	14.5	16.5	30	★49	32	0.49	
	11	76	67.62	14.5	16.5	32	★51	32	0.60	
	12	83	73.60	14.5	16.5	32	51	32	0.69	
	13	89	79.60	14	16	35	57	32	0.81	
	14	95	85.61	16	18	40	62	32	0.96	
	15	101	91.62	16	18	45	68	32	1.10	
	16	107	97.65	16	18	48	73	32	1.30	
	17	113	103.67	16	18	48	73	32	1.40	
	18	119	109.71	16	18	55	83	40	2.00	
	19	126	115.74	16	18	55	83	40	2.10	
	20	132	121.79	16	18	55	83	40	2.20	
	21	138	127.82	16	18	55	83	40	2.30	
	22	144	133.86	16	18	55	83	40	2.50	
	23	150	139.90	16	18	55	83	40	2.50	
	24	156	145.95	16	18	55	83	40	2.60	
	25	162	151.99	16	18	55	83	40	2.70	
	26	168	158.04	16	18	55	83	40	2.90	
	27	174	164.09	20	22	55	83	40	3.00	
	28	180	170.14	20	22	55	83	40	3.10	
	29	187	176.20	20	22	55	83	40	3.30	
	30	193	182.25	20	22	55	83	40	3.40	
	31	199	188.30	20	22	55	83	40	3.64	
	32	205	194.35	20	22	55	83	40	3.80	
	33	211	200.41	20	22	55	83	40	4.00	
	34	217	206.46	20	22	55	83	40	4.15	
	35	223	212.52	20	22	55	83	40	4.33	
	36	229	218.57	20	22	55	83	40	4.52	
	37	235	224.63	20	22	55	83	40	4.70	
	38	241	230.69	20	22	55	83	40	4.90	
	39	247	236.74	20	22	55	83	40	5.10	
	40	253	242.80	20	22	55	83	40	5.30	
	41	260	248.86	20	22	63	93	45	6.00	
	42	266	254.92	20	22	63	93	45	6.40	
	43	272	260.98	20	22	63	93	45	6.60	
	44	278	267.03	20	22	63	93	45	6.88	
	45	284	273.09	20	22	63	93	45	7.10	
	46	290	279.15	20	22	63	93	45	7.28	
	47	296	285.21	20	22	63	93	45	7.53	
	48	302	291.27	20	22	63	93	45	7.85	
49	308	297.33	20	22	63	93	45	8.04		
50	314	303.39	20	22	63	93	45	8.40		
51	320	309.45	20	22	63	93	45	8.57		
52	326	315.51	20	22	63	93	45	8.84		
54	338	327.63	20	22	63	93	45	9.50		
55	345	333.69	20	22	63	93	45	9.69		
56	351	339.75	20	22	63	93	45	9.99		
58	363	351.87	20	22	63	93	45	10.59		
60	375	363.99	20	22	63	93	45	11.30		
64	399	388.24	20	22	63	93	45	12.50		
65	405	394.30	26	28	75	107	45	13.50		
70	436	424.61	26	28	75	107	45	15.30		
75	466	454.92	26	28	75	107	45	17.20		
80	496	485.23	26	28	80	117	50	20.00		
85	527	515.54	26	28	80	117	50	22.30		
90	557	545.85	26	28	80	117	50	24.60		

SPROCKETS

Tooth Width (T) 11.7mm

CHAIN

Pitch (P) 19.05mm
Internal width (W) 12.70mm
RollerΦ (Dr) 11.91mm



Teeth	S	GD
9	8.0	32
10		37
11		45

★ Has recessed groove in hub for chain clearance

Stock Bore Sprockets (NK)

Asian Standard Series

NK80B

□ NK80B

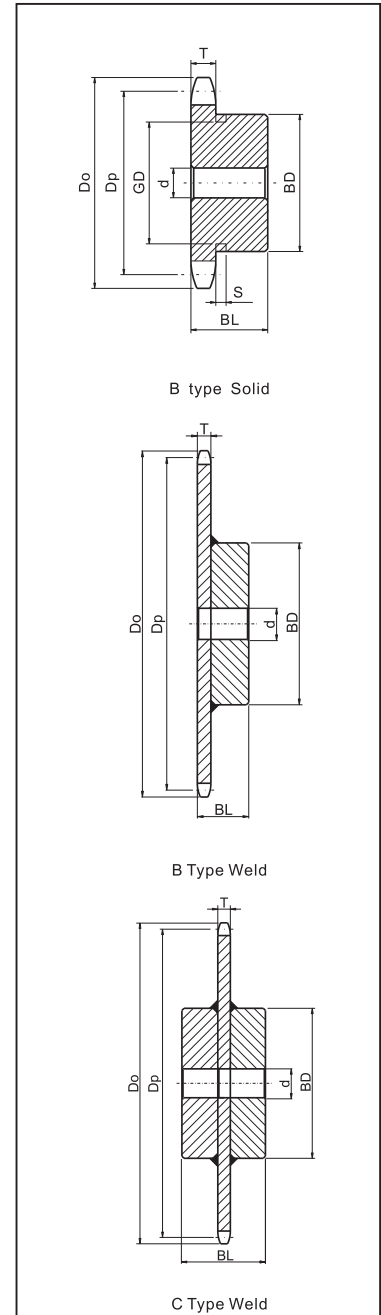
SPROCKETS

Tooth Width (T) 14.6mm

CHAIN

Pitch (P) 25.4mm
Internal width (W) 15.88mm
Roller Φ (Dr) 15.88mm

Type	Teeth	Do	Dp	Bore d			BD	BL	Wt kg	Material
				Stock	Min	Max				
NK 80B	9	85	74.27	16	18	35	★58	40	0.87	C45 Solid Hardened Teeth
	10	93	82.19	16	18	32	52	40	1.02	
	11	102	90.16	16	18	38	60	40	1.25	
	12	110	98.14	16	18	45	67	40	1.60	
	13	118	106.14	16	18	51	77	40	1.90	
	14	127	114.15	16	18	51	77	40	2.15	
	15	135	122.17	20	22	63	93	40	2.30	
	16	143	130.20	20	22	63	93	40	2.50	
	17	151	138.23	20	22	63	93	40	2.95	
	18	159	146.27	20	22	63	93	40	3.15	
	19	167	154.32	20	22	63	93	40	3.40	
	20	176	162.37	20	22	63	93	40	3.60	
	21	184	170.42	20	22	63	93	40	3.85	
	22	192	178.48	26	28	75	107	45	5.00	
	23	200	186.54	26	28	75	107	45	5.23	
	24	208	194.60	26	28	75	107	45	5.50	
	25	216	202.66	26	28	75	107	45	5.80	
	26	224	210.72	26	28	75	107	45	6.10	
	27	233	218.79	26	28	75	107	45	6.40	
	28	241	226.86	26	28	75	107	45	6.75	
	29	249	234.93	26	28	75	107	45	7.10	
	30	257	243.00	26	28	75	107	45	7.40	
	31	265	251.07	26	28	75	107	45	7.80	
	32	273	259.14	26	28	75	107	45	8.15	
	33	281	267.21	26	28	75	107	45	8.50	
	34	289	275.29	26	28	75	107	45	8.90	
	35	297	283.36	26	28	75	107	45	9.30	
	36	306	291.43	26	28	80	117	50	10.60	
	37	314	299.51	26	28	80	117	50	11.00	
	38	322	307.58	26	28	80	117	50	11.40	
	39	330	315.66	26	28	80	117	50	11.90	
	40	338	323.74	26	28	80	117	50	12.40	
	41	346	331.81	26	28	80	117	50	12.80	
	42	354	339.89	26	28	80	117	50	13.30	
	43	362	347.97	26	28	80	117	50	13.80	
	44	370	356.04	26	28	80	117	50	14.30	
	45	378	364.12	26	28	80	117	50	14.90	
	46	387	372.20	26	28	80	117	50	15.30	
	47	395	380.28	26	28	80	117	50	15.70	
	48	403	388.36	26	28	80	117	50	15.80	
50	419	404.52	26	28	80	117	50	17.65		
52	435	420.68	26	28	80	117	50	18.70		
53	443	428.76	26	28	80	117	50	19.30		
54	451	436.84	26	28	80	117	50	20.00		
55	459	444.92	26	28	80	117	50	20.60		
56	468	453.00	26	28	80	117	50	21.30		
58	484	469.16	26	28	80	117	50	22.55		
60	500	485.33	26	28	80	117	50	23.10		
65	540	525.73	26	28	89	127	63	29.40		
70	581	566.15	26	28	89	127	63	32.10		
75	621	606.56	26	28	89	127	63	36.20		
80	662	646.97	26	28	95	127	71	42.90		
90	743	727.80	26	28	95	127	71	53.00		



Teeth	S	GD
φ	10.4	44

★ Has recessed groove in hub for chain clearance

Stock Bore Sprockets (NK)

Asian Standard Series

NK100B

NK100C

□ NK100B/NK100C

Type	Teeth	Do	Dp	Bore d			BD	BL	Wt kg	Material
				Stock	Min	Max				
NK100B	9	106	92.84	20	22	40	★70	50	1.6	C45 Solid Hardened Teeth
	10	117	102.74	20	22	45	65	50	1.9	
	11	127	112.70	20	22	51	75	50	2.3	
	12	138	122.67	20	22	57	86	50	2.9	
	13	148	132.67	20	22	63	94	50	3.1	
	14	158	142.68	20	22	66	98	50	3.6	
	15	168	152.71	20	22	66	98	50	4.2	
	16	179	162.74	20	22	66	98	50	4.6	
	17	189	172.79	20	22	75	107	50	5.3	
	18	199	182.84	20	22	75	107	50	5.7	
	19	209	192.90	20	22	75	107	50	6.1	
	20	220	202.96	20	22	75	107	50	6.5	
	21	230	213.03	20	22	75	107	50	7.0	
	22	240	223.10	20	22	80	117	56	7.9	
	23	250	233.17	20	22	80	117	56	8.5	
	24	260	243.25	20	22	80	117	56	8.8	
	25	270	253.32	20	22	80	117	56	9.3	
	26	281	263.40	20	22	80	117	56	9.8	
	27	291	273.49	20	22	80	117	56	10.3	
	28	301	283.57	20	22	80	117	56	10.9	
	29	311	293.66	20	22	80	117	56	11.5	
	30	321	303.75	26	28	80	117	56	12.1	
	32	341	323.92	26	28	80	117	56	14.5	
	33	352	334.01	26	28	80	117	56	16.1	
	34	362	344.11	26	28	80	117	56	16.6	
	35	372	354.20	26	28	89	127	63	17.5	
	36	382	364.29	26	28	89	127	63	18.0	
	37	392	374.38	26	28	89	127	63	18.9	
	38	402	384.48	26	28	89	127	63	19.5	
	40	422	404.67	26	28	89	127	63	20.4	
	41	433	414.77	26	28	89	127	63	21.5	
	42	443	424.86	26	28	89	127	63	22.6	
45	473	455.16	26	28	89	127	63	24.7		
47	493	475.35	26	28	89	127	63	26.7		
48	503	485.45	26	28	89	127	63	27.5		
50	524	505.65	26	28	89	127	63	30.0		
54	564	546.05	26	28	103	147	80	37.4		
55	574	556.15	26	28	103	147	80	41.6		
60	625	606.66	26	28	103	147	80	44.3		
65	675	657.17	26	28	103	147	80	54.5		
70	726	707.68	26	28	103	147	100	64.7		
NK100C	75	777	758.20	26	28	103	147	100	72.7	

★ Has recessed groove in hub for chain clearance

Teeth	S	GD
9	11.5	55

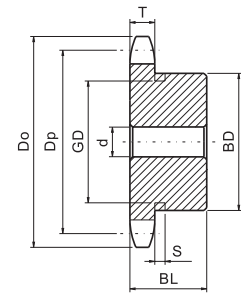
Stock Bore

SPROCKETS

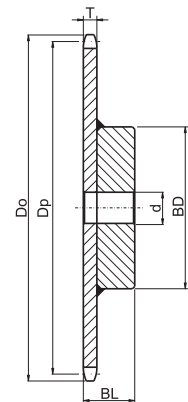
Tooth Width (T) 17.6mm

CHAIN

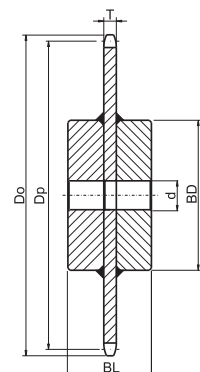
Pitch (P) 31.75mm
Internal width (W) 19.05mm
RollerΦ (Dr) 19.05mm



B type Solid



B Type Weld



C Type Weld

Stock Bore Sprockets (NK) Asian Standard Series

NK120B NK120C

Power Transmission Professional

□ NK120B/NK120C

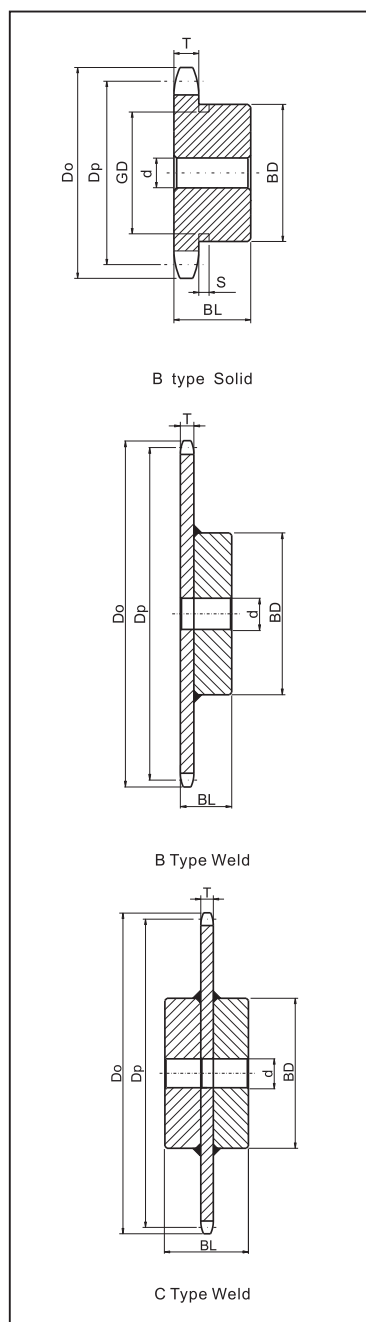
SPROCKETS

Tooth Width (T) 23.5mm

CHAIN

Pitch (P) 38.10mm
Internal width (W) 25.40mm
RollerΦ (Dr) 22.23mm

Type	Teeth	Do	Dp	Bore d			BD	BL	Wt kg	Material
				Stock	Min	Max				
NK120B	10	140	123.29	20	22	51	78	56	3.20	C45 Solid Hardened Teeth
	11	153	135.24	20	22	60	91	56	4.00	
	12	165	147.21	20	22	66	98	56	4.80	
	13	177	159.20	20	22	66	98	56	5.30	
	14	190	171.22	20	22	75	107	56	6.30	
	15	202	183.25	20	22	80	117	63	7.80	
	16	214	195.29	20	22	80	117	63	8.40	
	17	227	207.35	20	22	80	117	63	9.10	
	18	239	219.41	20	22	80	117	63	9.90	
	19	251	231.48	20	22	80	117	63	10.70	
	20	263	243.55	20	22	89	127	63	12.10	
	21	276	255.63	20	22	89	127	63	13.00	
	22	288	267.72	26	28	89	127	63	13.40	
	23	300	279.80	26	28	89	127	63	14.50	
	24	312	291.90	26	28	89	127	63	15.20	
	25	324	303.99	26	28	89	127	63	16.20	
	26	337	316.09	26	28	89	127	63	17.20	
	28	361	340.29	26	28	95	137	71	20.90	
	30	385	364.50	26	28	95	137	71	23.20	
	32	410	388.71	26	28	95	137	71	25.70	
	33	422	400.82	26	28	95	137	71	28.40	
	34	434	412.93	26	28	95	137	71	29.00	
35	446	425.04	26	28	95	137	71	29.70		
36	458	437.15	26	28	95	137	71	32.00		
38	483	461.38	26	28	95	137	71	35.00		
40	507	485.60	26	28	103	147	80	38.20		
42	531	509.84	26	28	103	147	80	42.00		
45	568	546.19	26	28	103	147	80	47.60		
48	604	582.54	26	28	103	147	80	53.00		
50	628	606.78	26	28	103	147	80	58.00		
NK120C	54	677	655.26	26	28	103	147	100	65.20	
	60	750	727.99	26	28	103	167	100	78.00	



Stock Bore Sprockets (NK) Asian Standard Series

NK140B NK140C

□ NK140B/NK140C

SPROCKETS

Tooth Width (T) 23.5mm

CHAIN

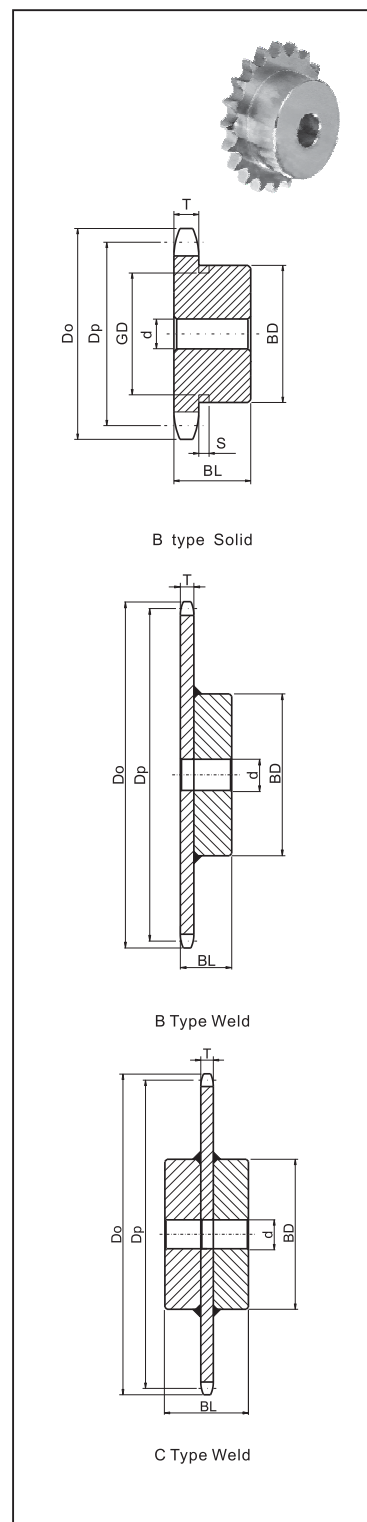
Pitch (P) 44.45mm

Internal width (W) 25.22mm

RollerΦ (Dr) 25.40mm

Stock Bore

Type	Teeth	Do	Dp	Bore d			BD	BL	Wt kg	Material
				Stock	Min	Max				
NK140B	10	163	143.84	26	28	66	98	56	4.90	C45 Solid
	11	178	157.78	26	28	70	106	56	5.50	
	12	193	171.74	26	28	80	117	56	6.60	
	13	207	185.74	26	28	80	117	63	7.90	
	14	221	199.76	26	28	89	127	63	9.30	
	15	236	213.79	26	28	89	127	63	10.10	
	16	250	227.84	26	28	89	127	63	11.00	
	17	264	241.91	26	28	89	127	63	12.00	
	18	279	255.98	26	28	89	127	63	13.00	
	19	293	270.06	26	28	95	137	71	15.60	
	20	307	284.15	26	28	95	137	71	16.70	
	21	322	298.24	26	28	95	137	71	17.90	
	22	336	312.34	26	28	95	137	71	18.40	
	23	350	326.44	26	28	95	137	71	20.10	
	24	364	340.54	26	28	95	137	71	20.90	
	25	379	354.65	26	28	103	147	80	24.10	
	26	393	368.77	26	28	103	147	80	25.50	
	27	407	382.88	26	28	103	147	80	28.20	
	28	421	397.00	26	28	103	147	80	30.10	
	29	450	425.24	26	28	103	147	80	31.50	
NK140C	30	478	453.49	26	28	103	147	80	36.00	Fe360 Welding
	32	521	495.88	26	28	110	157	90	42.90	
	35	535	510.01	26	28	110	157	90	47.40	
	36	563	538.27	26	28	110	157	90	51.00	
	38	591	566.54	26	28	110	157	90	53.10	
	40	620	594.81	26	28	110	157	90	60.00	
	42	662	637.22	26	28	118	167	100	68.00	
	45	705	679.63	26	28	118	167	100	75.00	
	48	733	707.91	26	28	118	167	100	85.30	
	50	790	764.47	26	28	118	167	100	97.40	
	54	875	849.32	26	28	118	167	112	119.30	
60										



Stock Bore Sprockets (NK) Asian Standard Series

NK160B NK160C

□ NK160B/NK160C

SPROCKETS

Tooth Width (T) 29.4mm

CHAIN

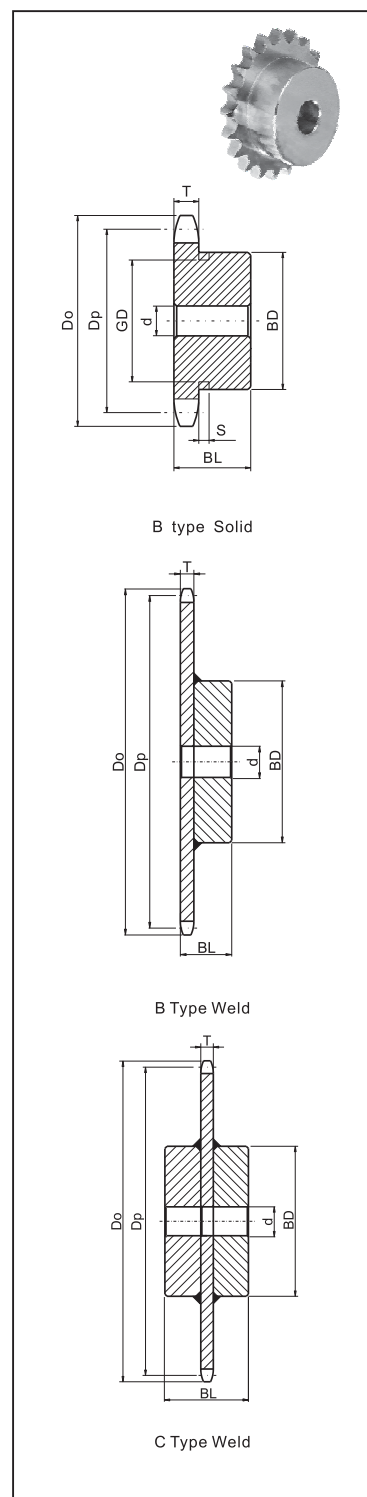
Pitch (P) 50.80mm

Internal width (W) 31.55mm

Roller Φ (Dr) 28.58mm

Stock Bore

Type	Teeth	Do	Dp	Bore d			BD	BL	Wt kg	Material
				Stock	Min	Max				
NK160B	10	186	164.39	26	28	70	105	63	6.80	C45 Solid
	11	204	180.31	26	28	80	117	63	8.30	
	12	220	196.28	26	28	89	127	63	9.90	
	13	237	212.27	26	28	95	137	71	12.50	
	14	253	228.30	26	28	95	137	71	13.80	
	15	269	244.33	26	28	95	137	71	15.20	
	16	286	260.39	26	28	103	147	71	17.40	
	17	302	276.46	26	28	103	147	71	18.90	
	18	319	292.55	26	28	103	147	71	20.60	
	19	335	308.64	26	28	103	147	71	22.30	
	20	351	324.74	26	28	103	147	71	24.20	
	21	368	340.84	26	28	103	147	71	26.10	
	22	384	356.96	26	28	118	167	80	30.20	
	24	416	389.19	26	28	118	167	80	34.40	
NK160C	25	433	405.32	26	28	118	167	80	36.60	Fe360 Welding
	26	449	421.45	26	28	118	167	80	38.90	
	30	514	485.99	26	28	118	167	100	52.30	
	32	546	518.28	26	28	118	167	100	59.00	
	35	595	566.71	26	28	118	167	100	66.90	
	40	676	647.47	26	28	118	187	112	88.00	
	45	757	728.25	26	28	132	187	125	115.00	
	48	806	776.72	26	28	132	187	125	128.00	
	50	838	809.04	26	28	132	187	125	138.70	
	54	903	873.68	26	28	132	187	125	158.40	
60	1000	970.65	26	28	132	187	125	190.80		



Stock Bore Sprockets (NK) Asian Standard Series

NK180B NK180C

Power Transmission Professional

□ NK180B/NK180C

SPROCKETS

Tooth Width (T) 33.0mm

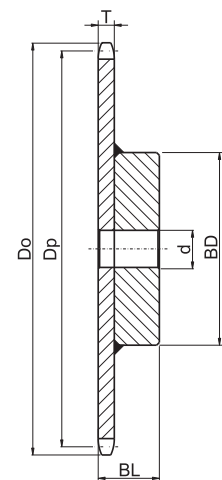
CHAIN

Pitch (P) 57.15mm

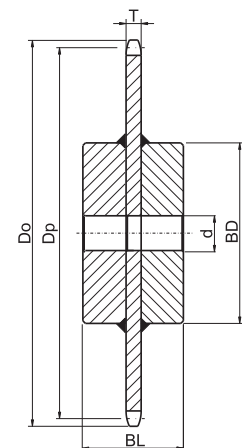
Internal width (W) 35.72mm

Roller Φ (Dr) 35.71mm

Type	Teeth	Do	Dp	Bore d			BD	BL	Wt kg	Material
				Stock	Min	Max				
NK180B	11	229	202.85	43	45	75	110	55	9.3	Fe360 Welding
	12	248	220.81	43	45	85	130	65	12.6	
	13	266	238.81	43	45	95	150	75	16.6	
	14	285	256.83	43	45	105	170	80	20.9	
	15	303	274.87	43	45	110	180	80	23.8	
	16	322	292.94	43	45	110	180	80	25.9	
	17	340	311.01	43	45	115	180	80	28.1	
	18	358	329.11	43	45	115	180	80	29.9	
	19	377	347.21	43	45	115	180	80	32.4	
	20	395	365.33	43	45	115	180	80	35.0	
NK180C	21	413	383.45	63	65	120	190	85	38.8	
	22	432	401.57	63	65	120	190	85	41.7	
	24	468	437.84	63	65	125	200	90	50.2	
	25	487	455.99	63	65	125	200	90	53.5	
	26	505	474.13	63	65	125	200	90	56.8	
	30	578	546.74	63	65	135	220	110	81.1	
	35	669	637.56	63	65	135	220	110	102.9	
	40	760	728.41	63	65	150	240	125	137.5	
	45	852	819.28	63	65	150	240	125	166.1	
	48	903	873.81	63	65	150	240	125	184.9	
60	1,125	1,091.98	63	65	150	240	125	272.2		



B Type Weld



C Type Weld

Stock Bore Sprockets (NK)

Asian Standard Series

NK200B

NK200C

Power Transmission Professional

□ NK200B/NK200C

SPROCKETS

Tooth Width (T) 35.3mm

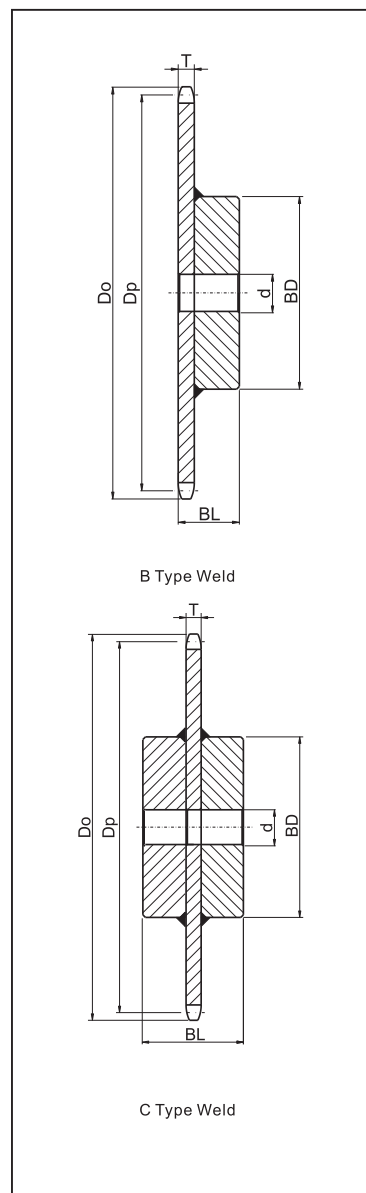
CHAIN

Pitch (P) 63.50mm

Internal width (W) 37.85mm

RollerΦ (Dr) 39.68mm

Type	Teeth	Do	Dp	Bore d			BD	BL	Wt kg	Material
				Stock	Min	Max				
NK200B	11	254	225.39	43	45	80	130	65	13.4	Fe360 Welding
	12	275	245.34	43	45	90	150	75	17.8	
	13	296	265.34	43	45	100	170	80	22.4	
	14	316	285.37	43	45	110	180	80	25.7	
	15	337	305.42	43	45	115	180	80	28.3	
	16	357	325.49	43	45	115	180	80	30.3	
	17	378	345.58	43	45	120	190	85	35.3	
	18	398	365.68	43	45	120	190	85	38.4	
NK200C	19	419	385.79	63	65	125	200	90	42.9	
	20	439	405.92	63	65	125	200	90	46.4	
	21	459	426.05	63	65	135	220	110	59.1	
	22	480	446.20	63	65	135	220	110	62.2	
	24	520	486.49	63	65	140	230	110	73.1	
	25	541	506.65	63	65	140	230	110	77.5	
	26	561	526.81	63	65	140	230	110	82.0	
	30	642	607.49	63	65	150	240	125	109.1	
	35	744	708.39	63	65	150	240	125	138.0	
	40	845	809.34	63	65	170	270	140	186.1	
	45	946	910.31	63	65	170	270	140	223.9	
	48	1,007	970.90	68	70	170	270	140	248.2	
60	1,250	1,213.31	68	70	170	270	140	363.2		



Stock Bore Sprockets (NK)

Asian Standard Series

NK35-2B

□ NK35-2B

SPROCKETS

Tooth Width (T) 4.1mm

CHAIN

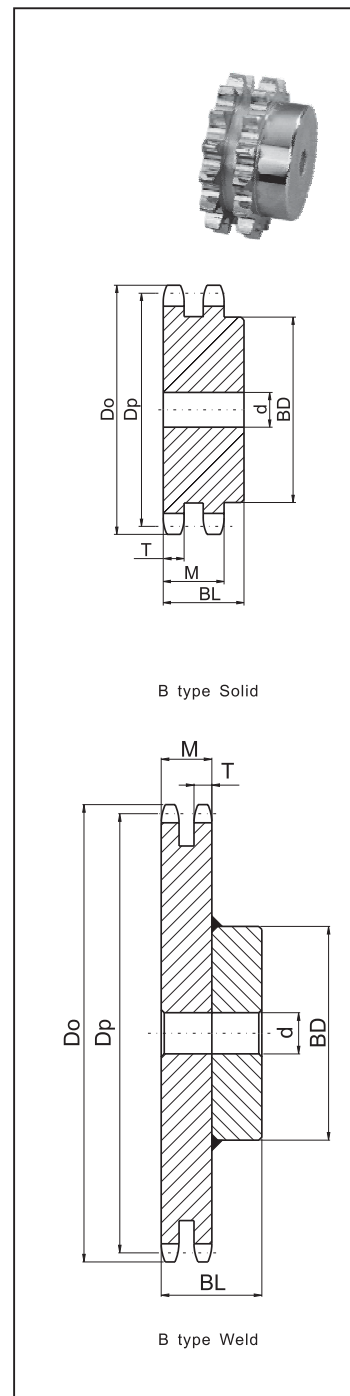
Pitch (P) 9.525mm

Internal width (W) 4.78mm

RollerΦ (Dr) 5.08mm

Stock Bore

Type	Teeth	Do	Dp	Bore d			BD	BL	Wt kg	Material
				Stock	Min	Max				
NK 35-2B	10	34	30.82	9	11	10	20	30	0.10	C45 Solid
	11	38	33.81	10	12	12	23	30	0.11	
	12	41	36.80	10	12	14	26	30	0.14	
	13	44	39.80	10	12	14	27	30	0.17	
	14	47	42.81	10	12	18	32	30	0.21	
	15	51	45.81	10	12	20	35	30	0.25	
	16	54	48.82	10	12	20	38	30	0.29	
	17	57	51.84	11.5	13.5	22	41	30	0.34	
	18	60	54.85	11.5	13.5	25	44	35	0.45	
	19	63	57.87	11.5	13.5	28	47	35	0.51	
	20	66	60.89	12	14	30	50	40	0.64	
	21	69	6.91	12	14	30	50	40	0.64	
	22	72	66.93	12	14	32	55	40	0.67	
	24	78	72.97	15	17	38	60	40	0.82	
	25	81	76.00	15	17	38	60	40	0.92	
	28	90	85.07	15	17	42	65	45	1.26	
	30	96	91.12	15	17	42	65	45	1.34	
	32	102	97.18	15	17	42	65	45	1.43	
	40	127	121.40	15	17	42	65	45	2.30	
	45	142	136.55	19	21	55	83	45	2.84	
50	157	151.70	19	21	55	83	45	3.22		
60	187	182.00	19	21	63	93	50	4.70		



Stock Bore Sprockets (NK)

Asian Standard Series

NK40-2B

□ NK40-2B

SPROCKETS

Tooth Width (T) 7.0mm

CHAIN

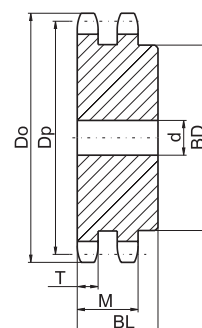
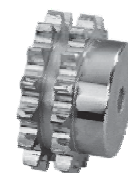
Pitch (P) 12.7mm

Internal width (W) 7.95mm

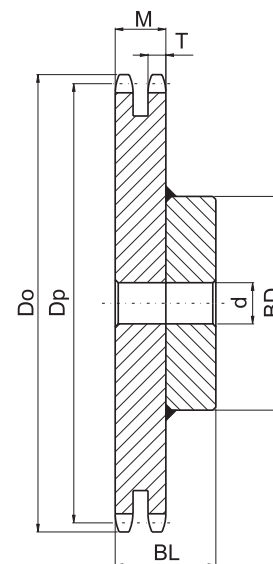
Roller Φ (Dr) 7.95mm

Power Transmission Professional

Type	Teeth	Do	Dp	Bore d			BD	BL	Wt kg	Material
				Stock	Min	Max				
NK 40-2B	10	46	41.10	13	15	16	28	35	0.28	C45 Solid Hardened Teeth
	11	51	45.08	13	15	16	30	35	0.30	
	12	55	49.07	14	16	20	35	35	0.34	
	13	59	53.07	14	16	22	39	35	0.40	
	14	63	57.07	14	16	25	43	35	0.47	
	15	67	61.08	14	16	28	47	35	0.55	
	16	71	65.10	14	16	30	50	35	0.65	
	17	76	69.12	14	16	32	54	35	0.75	
	18	80	73.14	14	16	38	59	35	0.85	
	19	84	77.16	14	16	42	63	35	0.98	
	20	88	81.18	14	16	45	67	40	1.30	
	21	92	85.21	14	16	45	68	40	1.30	
	22	96	89.24	14	16	48	72	40	1.50	
	23	100	93.27	14	16	51	76	40	1.60	
	24	104	97.30	14	16	55	80	40	1.80	
	25	108	101.33	18	20	57	84	40	2.00	
	26	112	105.36	18	20	60	88	40	2.20	
	27	116	109.40	18	20	60	92	40	2.30	
	28	120	113.43	18	20	66	96	40	2.50	
	29	124	117.46	18	20	66	96	40	2.65	
	30	128	121.50	18	20	66	100	40	2.80	
	31	133	125.53	23	25	66	100	50	2.95	
	32	137	129.57	23	25	66	100	50	3.05	
	33	141	133.61	23	25	66	100	50	3.06	
	34	145	137.64	23	25	66	100	50	3.08	
	35	149	141.68	23	25	66	100	50	3.10	
	36	153	145.72	23	25	66	100	50	3.30	
	37	157	149.75	23	25	66	100	50	3.40	
	38	161	153.79	23	25	66	100	50	3.50	
	40	169	161.87	23	25	66	100	50	3.60	
42	177	169.95	23	25	63	93	50	4.00		
45	189	182.06	23	25	63	93	50	4.60		
48	201	194.18	23	25	63	93	50	5.00		
50	209	202.26	23	25	63	93	50	5.50		
54	226	218.42	23	25	63	93	50	5.80		
60	250	242.66	23	25	63	93	50	6.70		
65	270	262.87	23	25	63	93	50	10.20		
70	290	283.07	23	25	63	93	50	11.50		



B type Solid



B type Weld

Stock Bore Sprockets (NK)

Asian Standard Series

NK50-2B

□ NK50-2B

SPROCKETS

Tooth Width (T) 8.4mm

CHAIN

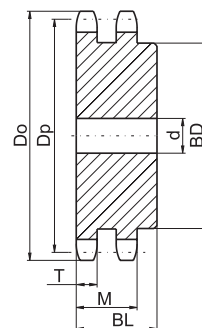
Pitch (P) 15.875mm

Internal width (W) 9.53mm

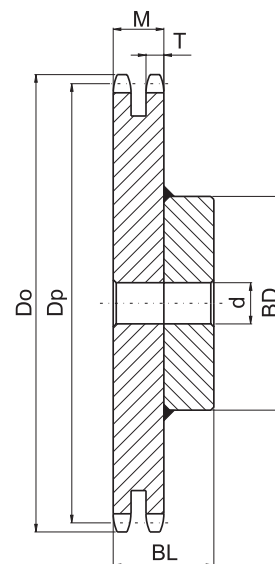
Roller Φ (Dr) 10.16mm

Type	Teeth	Do	Dp	Bore d			BD	BL	Wt kg	Material	
				Stock	Min	Max					
NK 50-2B	10	58	51.37	14	16	20	35	40	0.50	C45 Solid	
	11	64	56.35	14	16	22	40	40	0.50		
	12	69	61.34	14	16	25	42	40	0.62		
	13	74	66.34	14	16	30	49	40	0.75		
	14	79	71.34	14	16	32	54	40	0.90		
	15	84	76.35	14	16	38	59	40	1.10		
	16	89	81.37	14	16	42	64	45	1.40		
	17	94	86.39	14	16	45	68	45	1.60		
	18	100	91.42	14	16	48	74	45	1.80		
	19	105	96.45	14	16	55	79	45	2.10		
	20	110	101.48	18	20	57	84	45	2.30		Hardened Teeth
	21	115	106.51	18	20	60	89	45	2.60		
	22	120	111.55	18	20	63	94	50	3.00		
	23	125	116.58	18	20	66	99	50	3.50		
	24	130	121.62	18	20	70	105	50	3.80		
	25	135	126.66	18	20	70	105	50	4.20		
	26	140	131.70	18	20	70	105	50	4.50		C45 Solid
	27	145	136.74	18	20	70	105	50	4.80		
	28	150	141.79	18	20	75	110	50	5.10		
	29	155	146.83	18	20	75	110	50	5.50		
	30	161	151.87	18	20	80	120	50	5.80		
	31	166	156.92	23	25	80	120	50	5.90	Fe360 Welding	
	32	171	161.96	23	25	80	120	50	6.00		
	33	176	167.01	23	25	80	120	50	6.50		
	34	181	172.05	23	25	80	120	50	6.80		
	35	186	177.10	23	25	80	117	50	7.00		
	36	191	182.14	23	25	80	117	50	7.00		
	38	201	192.24	23	25	80	117	50	8.00		
	40	211	202.33	23	25	80	117	56	9.00		
	42	221	212.43	23	25	66	98	56	8.88		
	45	237	227.58	23	25	66	98	56	9.96		
	48	252	242.73	23	25	66	98	56	8.00		
	50	262	252.83	23	25	66	98	56	9.00		
	54	282	273.02	23	25	66	98	56	9.90		
	60	312	303.33	23	25	66	98	56	11.70		
65	338	328.58	23	25	66	98	56	13.00			
70	363	353.84	23	25	66	98	56	15.00			

Stock Bore



B type Solid



B type Weld

Stock Bore Sprockets (NK)

Asian Standard Series

NK60-2B

□ NK60-2B

SPROCKETS

Tooth Width (T) 11.3mm

CHAIN

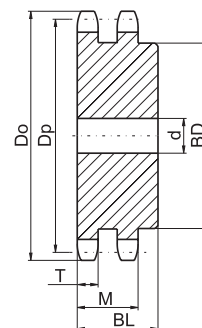
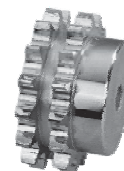
Pitch (P) 19.05mm

Internal width (W) 12.70mm

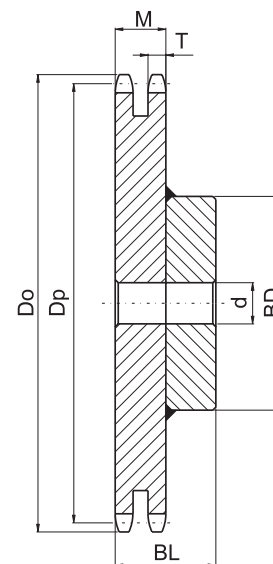
Roller Φ (Dr) 11.91mm

Type	Teeth	Do	Dp	Bore d			BD	BL	Wt kg	Material
				Stock	Min	Max				
NK 60-2B	10	68	61.65	16	18	20	35	50	0.90	C45 Solid Hardened Teeth
	11	76	67.62	16	18	25	44	50	1.00	
	12	83	73.60	16	18	30	50	50	1.20	
	13	89	79.60	18	20	35	57	50	1.40	
	14	95	85.61	18	20	42	64	56	1.80	
	15	101	91.62	18	20	46	70	56	2.10	
	16	107	97.65	18	20	51	76	56	2.50	
	17	113	103.67	18	20	55	82	56	2.60	
	18	119	109.71	18	20	60	88	56	3.20	
	19	126	115.74	18	20	63	94	56	3.70	
	20	132	121.78	23	25	66	100	56	4.20	
	21	138	127.82	23	25	66	100	56	4.40	
	22	144	133.86	23	25	66	100	56	4.90	
	23	150	139.90	23	25	66	100	56	4.70	
	24	156	145.95	23	25	80	120	56	6.00	
	25	162	151.99	23	25	80	120	56	6.40	
	26	168	158.04	23	25	80	120	56	6.80	
	27	174	164.09	23	25	80	120	56	7.30	
	28	180	170.14	23	25	80	120	56	7.80	
	29	187	176.20	28	30	80	120	56	8.20	
	30	193	182.25	28	30	89	130	56	9.00	
	31	199	188.30	28	30	89	127	56	9.30	
	32	205	194.35	28	30	89	127	56	9.50	
	33	211	200.41	28	30	89	127	56	9.70	
	34	217	206.46	28	30	89	127	56	10.50	
	35	223	212.52	28	30	89	127	56	11.00	
	36	229	218.57	28	30	66	98	56	8.50	
	38	241	230.69	28	30	66	98	56	9.00	
	40	253	242.80	28	30	66	98	56	9.70	
	42	266	254.92	28	30	75	107	56	11.00	
	45	284	273.09	28	30	75	107	71	12.80	
	48	302	291.27	28	30	75	107	71	14.00	
	50	314	303.39	28	30	75	107	71	16.00	
	54	338	327.63	28	30	75	107	71	18.00	
	60	375	363.99	28	30	75	107	71	21.50	
65	405	394.30	28	30	75	107	71	24.00		
70	436	424.61	28	30	75	107	71	30.00		
										Fe360 Welding

Stock Bore



B type Solid



B type Weld

Stock Bore Sprockets (NK)

Asian Standard Series

NK80-2B

□ NK80-2B

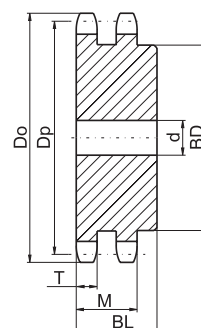
SPROCKETS

Tooth Width (T) 14.1mm

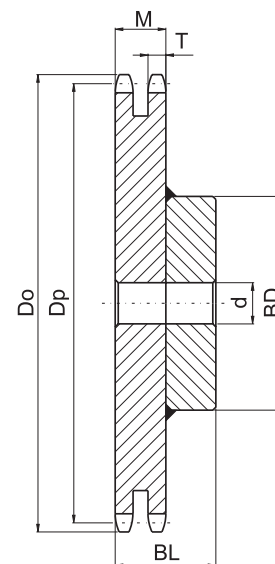
CHAIN

Pitch (P) 25.4mm
 Internal width (W) 15.88mm
 Roller Φ (Dr) 15.88mm

Type	Teeth	Do	Dp	Bore d			BD	BL	Wt kg	Material
				Stock	Min	Max				
NK 80-2B	10	93	82.19	21	23	35	58	63	2.00	C45 Solid Hardened Teeth
	11	102	90.16	21	23	38	60	63	2.50	
	12	110	98.14	23	25	46	69	63	2.70	
	13	118	106.14	23	25	55	80	63	3.40	
	14	127	114.15	23	25	60	88	63	3.90	
	15	135	122.17	23	25	63	95	63	4.40	
	16	143	130.20	23	25	66	100	71	5.40	
	17	151	138.23	23	25	66	100	71	6.00	
	18	159	146.27	23	25	80	120	71	7.50	C45 Solid
	19	167	154.32	23	25	80	120	71	8.00	
	20	176	162.37	23	25	89	130	71	9.00	
	21	184	170.42	23	25	89	130	71	10.30	
	22	192	178.48	33	35	80	117	71	11.00	
	23	200	186.54	33	35	80	117	71	11.80	
	24	208	194.60	33	35	80	117	80	12.60	
	25	216	202.66	33	35	80	117	80	13.40	
	26	224	210.72	33	35	80	117	80	14.30	
	28	241	226.86	33	35	80	117	80	16.00	
	30	257	243.00	33	35	80	117	80	18.30	
	32	273	259.14	33	35	80	117	80	20.40	
	35	297	283.36	33	35	80	117	80	23.90	
	36	306	291.43	33	35	80	117	80	25.10	
	38	322	307.58	38	40	90	127	80	27.70	
	40	338	323.74	38	40	90	127	90	30.40	
	42	354	339.89	38	40	90	127	90	33.00	
	45	378	364.12	38	40	90	127	90	37.50	
	48	403	388.36	38	40	90	127	90	43.00	
	50	419	404.52	38	40	90	127	90	46.00	
	54	451	436.84	38	40	90	127	90	52.50	
	60	500	485.33	38	40	90	127	90	64.00	
62	516	501.49	38	40	90	127	90	69.00		
65	540	525.73	38	40	90	127	90	73.50		
70	581	566.15	38	40	90	127	90	90.40		



B type Solid



B type Weld

Stock Bore Sprockets (NK) Asian Standard Series

NK100-2B NK100-2C

□ NK100-2B/NK100-2C

SPROCKETS

Tooth Width (T) 17.0mm

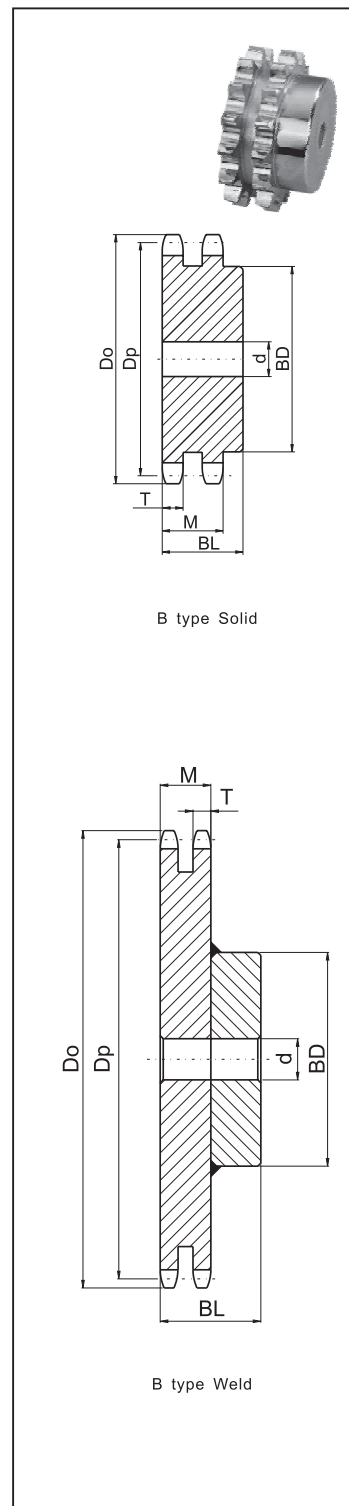
CHAIN

Pitch (P) 31.75mm

Internal width (W) 19.05mm

RollerΦ (Dr) 19.05mm

Type	Teeth	Do	Dp	Bore d			BD	BL	Wt kg	Material
				Stock	Min	Max				
NK 100-2B	10	117	102.74	22	24	46	70	80	3.50	C45 Solid Hardened Teeth
	11	127	112.70	22	24	55	80	80	4.20	
	12	138	122.67	28	30	60	90	80	5.00	
	13	148	132.67	28	30	66	100	80	6.00	
	14	158	142.68	28	30	75	110	80	7.00	
	15	168	152.71	28	30	80	120	80	7.10	C45 Solid
	16	179	162.74	28	30	89	130	80	7.70	
	17	189	172.79	28	30	89	130	80	8.90	
	18	199	182.84	28	30	89	130	80	9.60	
	19	209	192.90	28	30	89	130	90	12.80	
	20	220	202.96	28	30	89	130	90	13.50	Fe360 Welding
	21	230	213.03	28	30	89	130	90	14.30	
	22	240	223.10	28	30	89	127	90	19.35	
	23	250	233.17	28	30	89	127	90	20.85	
	24	260	243.25	38	40	95	137	90	22.62	
	25	270	253.32	38	40	95	137	90	24.25	
	26	281	263.40	38	40	95	137	90	25.94	
	28	301	283.57	38	40	95	137	90	29.52	
	30	321	303.75	38	40	95	137	90	33.37	
	32	341	323.92	38	40	95	137	90	37.48	
35	372	354.20	38	40	95	137	90	44.15		
36	382	364.29	38	40	95	137	90	46.50		
38	402	384.48	38	40	95	137	90	51.41		
40	422	404.67	38	40	103	147	100	58.46		
42	443	424.86	38	40	103	147	100	63.90		
45	473	455.16	38	40	103	147	100	72.56		
48	503	485.45	38	40	103	147	100	81.81		
50	524	505.65	38	40	103	147	100	88.31		
54	564	546.05	38	40	103	147	100	102.11		
NK 100-2C	60	625	606.66	38	40	103	147	125	127.87	



Stock Bore Sprockets (NK) Asian Standard Series

NK120-2B NK120-2C

□ NK120-2B/NK120-2C

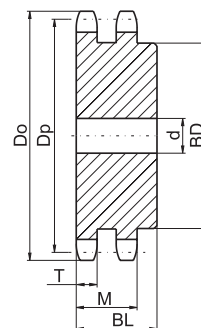
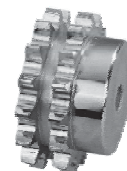
SPROCKETS

Tooth Width (T) 22.7mm

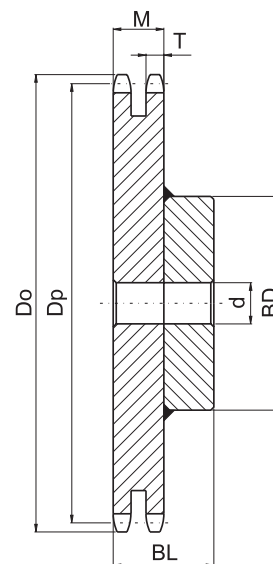
CHAIN

Pitch (P) 38.10mm
Internal width (W) 25.40mm
RollerΦ (Dr) 22.23mm

Type	Teeth	Do	Dp	Bore d			BD	BL	Wt kg	Material
				Stock	Min	Max				
NK 120-2B	10	140	123.29	26	28	55	80	100	8.00	C45 Solid Hardened Teeth
	11	153	135.24	26	28	60	90	100	8.70	
	12	165	147.21	28	30	66	100	100	9.20	
	13	177	159.20	28	30	75	115	100	10.90	
	14	190	171.22	28	30	80	120	100	11.40	
	15	202	183.25	38	40	80	120	100	13.20	C45 Solid
	16	214	195.29	38	40	95	140	100	16.50	
	17	227	207.35	38	40	95	140	100	19.00	
	18	239	219.41	38	40	103	150	100	21.00	
	19	251	231.48	38	40	103	150	100	23.00	
	20	263	243.55	38	40	103	150	100	26.00	
	21	276	255.63	38	40	103	150	100	28.00	
	22	288	267.72	38	40	103	147	100	30.00	
	23	300	279.80	38	40	103	147	100	33.00	
	24	312	291.90	38	40	110	157	100	31.00	
	25	324	303.99	38	40	110	157	100	33.00	
	26	337	316.09	38	40	110	157	100	35.00	
	28	361	340.29	38	40	110	157	100	39.00	
	30	385	364.50	38	40	110	157	100	43.90	
	32	410	388.71	38	40	110	157	100	47.00	
35	446	425.04	38	40	110	157	100	56.80		
36	458	437.15	38	40	110	157	100	60.00		
38	483	461.38	38	40	110	157	100	67.00		
NK 120-2C	40	507	485.60	43	45	125	177	140	84.30	
	42	531	509.84	43	45	125	177	140	87.00	
	45	568	546.19	43	45	125	177	140	98.50	
	48	604	582.54	43	45	125	177	140	104.00	
	50	628	606.78	43	45	125	177	140	115.00	
	54	677	655.26	43	45	125	177	140	121.00	
	60	750	727.99	43	45	125	177	160	131.60	



B type Solid



B type Weld

Stock Bore Platewheels (K)

Asian Standard Series

K25A

□ K25A

SPROCKETS

Tooth Width (T) 2.8mm

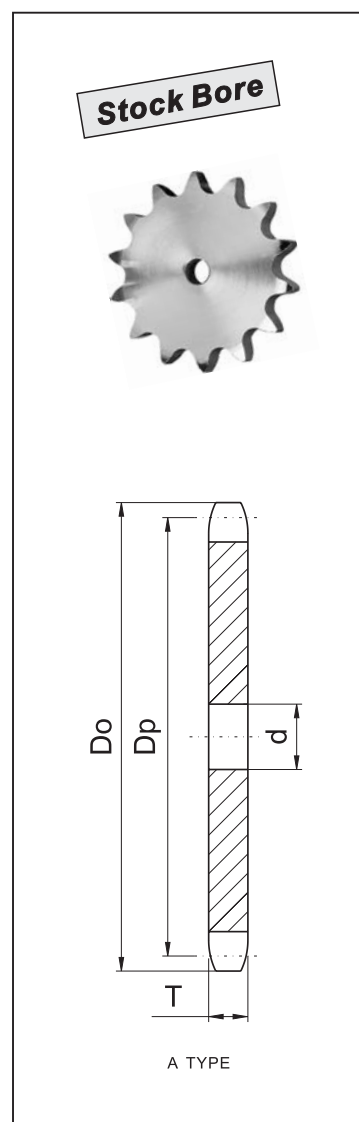
CHAIN

Pitch (P) 6.35mm

Internal width (W) 3.18mm

Roller Φ (Dr) 3.30mm

Type	Teeth	Do	Dp	Bore d		Wt kg	Material
				Stock	Min		
K25A	10	23	20.55	9	11	0.02	C45 Solid
	12	28	24.53	9	11	0.03	
	13	30	26.53	9	11	0.04	
	14	32	28.54	9	11	0.04	
	15	34	30.54	9	11	0.05	
	16	36	32.55	9	11	0.05	
	17	38	34.56	9	11	0.07	
	18	40	36.57	9	11	0.07	
	20	44	40.59	9	11	0.09	
	24	52	48.65	9	11	0.14	
	25	54	50.66	9	11	0.16	
	27	58	54.70	9	11	0.17	
	28	60	56.71	9	11	0.18	
	29	62	58.73	9	11	0.20	
	30	64	60.75	10	12	0.23	
	32	68	64.78	10	12	0.27	
	33	70	66.80	10	12	0.28	
	35	74	70.84	10	12	0.30	
	36	76	72.86	10	12	0.32	
	37	78	74.88	10	12	0.37	
	38	80	76.90	10	12	0.41	
	40	84	80.93	11	13	0.43	
	42	89	84.97	11	13	0.47	
	45	95	91.03	11	13	0.50	
	50	105	101.13	11	13	0.59	
	55	115	111.23	11	13	0.70	
	60	125	121.33	11	13	0.87	
	70	145	141.54	11	13	1.81	
75	155	151.64	12	14	1.37		
80	165	161.74	12	14	1.62		



Stock Bore Platewheels (K)

Asian Standard Series

K35A

□ K35A

SPROCKETS

Tooth Width (T) 4.3mm

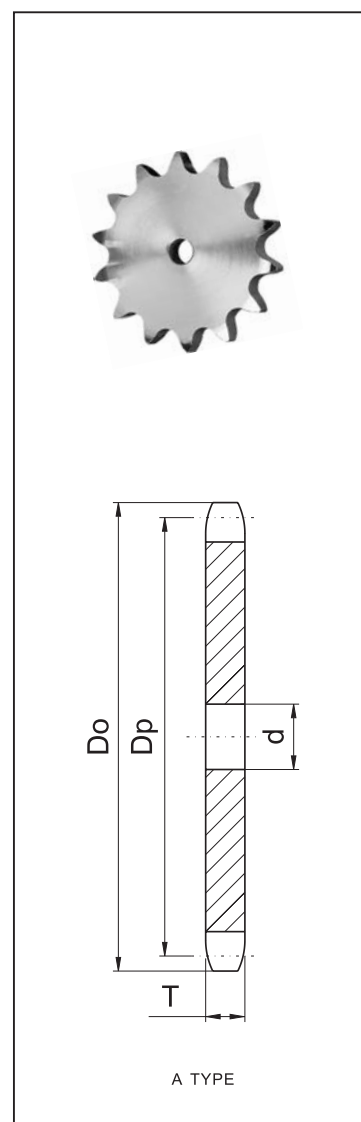
CHAIN

Pitch (P) 9.525mm

Internal width (W) 4.78mm

Roller Φ (Dr) 5.08mm

Type	Teeth	Do	Dp	Bore d		Wt kg	Material
				Stock	Min		
K35A	10	34	30.82	9	11	0.02	C45 Solid
	11	38	33.81	9	11	0.03	
	12	41	36.80	9	11	0.03	
	13	44	39.80	9	11	0.04	
	14	47	42.81	9	11	0.04	
	15	51	45.81	9	11	0.05	
	16	54	48.82	9	11	0.05	
	17	57	51.84	11	13	0.07	
	18	60	54.85	11	13	0.07	
	19	63	57.87	11	13	0.09	
	20	66	60.89	11	13	0.09	
	21	69	63.91	11	13	0.11	
	22	72	66.93	11	13	0.11	
	23	75	69.95	11	13	0.11	
	24	78	72.97	11	13	0.14	
	25	81	76.00	11	13	0.16	
	26	84	79.02	11	13	0.16	
	27	87	82.05	11	13	0.17	
	28	90	85.07	11	13	0.18	
	30	96	91.12	11	13	0.23	
	32	102	97.18	11	13	0.27	
	33	105	100.20	11	13	0.28	
	34	109	103.23	11	13	0.29	
	35	112	106.26	11	13	0.30	
	36	115	109.29	12	14	0.32	
	38	121	115.34	12	14	0.37	
	40	127	121.40	12	14	0.40	
	42	133	127.46	16	18	0.43	
	45	142	136.55	16	18	0.49	
	46	145	139.58	16	18	0.51	
	48	151	145.64	16	18	0.55	
	50	157	151.70	16	18	0.60	
54	169	163.81	16	18	0.70		
55	172	166.85	16	18	0.71		
60	187	182.00	16	18	0.80		
65	203	197.15	16	18	1.02		
70	218	212.30	16	18	1.18		
80	248	242.60	16	18	1.50		



Stock Bore Platewheels (K)

Asian Standard Series

K410A

Type	Teeth	Do	Dp	Bore d		Wt kg	Material
				Stock	Min		
K410A	8	38	33.19	10	12	0.01	C45 Solid
	9	42	37.13	10	12	0.02	
	10	46	41.10	11	13	0.05	
	11	51	45.08	12	14	0.09	
	12	55	49.07	12	14	0.10	
	13	59	53.07	15	17	0.12	
	14	63	57.07	15	17	0.14	
	15	67	61.08	15	17	0.16	
	16	71	65.10	15	17	0.18	
	17	76	69.12	15	17	0.20	
	18	80	73.14	15	17	0.23	
	19	84	77.16	15	17	0.26	
	20	88	81.18	16	18	0.29	
	21	92	85.21	16	18	0.30	
	22	96	89.24	16	18	0.35	
	23	100	93.27	16	18	0.38	
	24	104	97.30	16	18	0.40	
	25	108	101.33	16	18	0.45	
	26	112	105.36	16	18	0.49	
	27	116	109.40	16	18	0.50	
	28	120	113.43	16	18	0.56	
	29	124	117.46	16	18	0.60	
	30	128	121.50	16	18	0.63	
	31	133	125.53	16	18	0.65	
	32	137	129.57	16	18	0.70	
	33	141	133.61	16	18	0.75	
	34	145	137.64	16	18	0.80	
	35	149	141.68	16	18	0.85	
	36	153	145.72	18	20	0.90	
	37	157	149.75	18	20	0.99	
	38	161	153.79	18	20	1.00	
	39	165	157.83	18	20	1.18	
40	169	161.87	18	20	1.20		
41	173	165.91	18	20	1.20		
42	177	169.94	18	20	1.25		
44	185	178.02	18	20	1.35		
45	189	182.06	18	20	1.40		
46	193	186.10	18	20	1.49		
47	197	190.14	18	20	1.58		
48	201	194.18	18	20	1.63		
49	205	198.22	18	20	1.73		
50	209	202.26	18	20	1.80		
52	218	210.34	18	20	1.93		
54	226	218.42	18	20	2.00		
60	250	242.66	18	20	2.60		

□ K410A

SPROCKETS

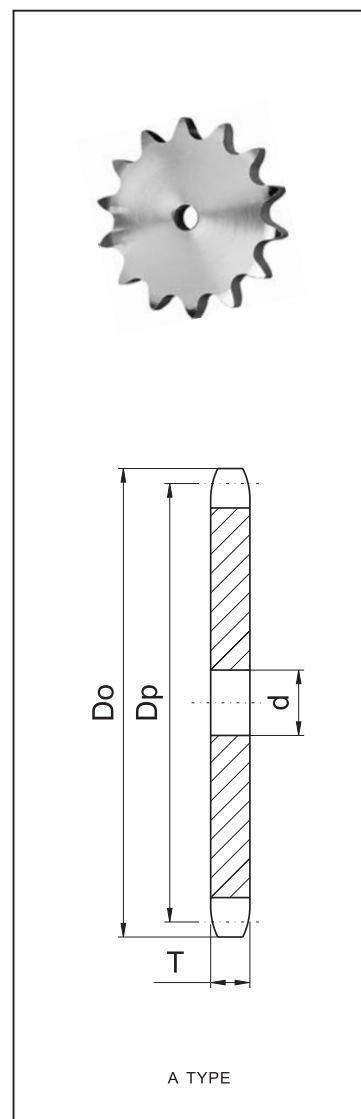
Tooth Width (T) 2.8mm

CHAIN

Pitch (P) 12.70mm

Internal width (W) 3.40mm

Roller Φ (Dr) 7.75mm



Stock Bore Platewheels (K)

Asian Standard Series

K40A

Type	Teeth	Do	Dp	Bore d		Wt kg	Material
				Stock	Min		
K 40A	10	46	41.10	9.5	11.5	0.05	C45 Solid
	11	51	45.08	10.5	12.5	0.09	
	12	55	49.07	11.5	13.5	0.10	
	13	59	53.07	13.5	15.5	0.12	
	14	63	57.07	13.5	15.5	0.14	
	15	67	61.08	13.5	15.5	0.16	
	16	71	65.10	13.5	15.5	0.18	
	17	76	69.12	13.5	15.5	0.20	
	18	80	73.14	13.5	15.5	0.23	
	19	84	77.16	13.5	15.5	0.26	
	20	88	81.18	14	16	0.29	
	21	92	85.21	14	16	0.30	
	22	96	89.24	14	16	0.35	
	23	100	93.27	14	16	0.38	
	24	104	97.30	14	16	0.40	
	25	108	101.33	14	16	0.45	
	26	112	105.36	14	16	0.49	
	27	116	109.40	14	16	0.50	
	28	120	113.43	14	16	0.56	
	29	124	117.46	14	16	0.60	
	30	128	121.50	14	16	0.63	
	31	133	125.53	14	16	0.65	
	32	137	129.57	14	16	0.70	
	33	141	133.61	14	16	0.75	
	34	145	137.64	14	16	0.80	
	35	149	141.68	14	16	0.85	
	36	153	145.72	16	18	0.90	
	37	157	149.75	16	18	0.99	
	38	161	153.79	16	18	1.00	
	39	165	157.83	16	18	1.15	
	40	169	161.87	16	18	1.20	
	41	173	165.91	16	18	1.20	
	42	177	169.95	16	18	1.25	
	43	181	173.98	16	18	1.30	
	44	185	178.02	16	18	1.35	
	45	189	182.06	16	18	1.40	
	46	193	186.10	16	18	1.49	
	47	197	190.14	16	18	1.58	
	48	201	194.18	16	18	1.63	
	49	205	198.22	16	18	1.73	
50	209	202.26	16	18	1.80		
51	214	206.30	16	18	1.88		
52	218	210.34	16	18	1.93		
53	222	214.38	16	18	1.98		
54	226	218.42	16	18	2.00		
55	230	222.46	16	18	2.18		
56	234	226.50	16	18	2.26		
58	242	234.58	16	18	2.43		
59	246	238.62	16	18	2.51		
60	250	242.66	16	18	2.60		
62	258	250.74	16	18	2.77		
64	266	258.83	16	18	2.90		
65	270	262.87	16	18	3.00		
68	282	274.99	16	18	3.35		
70	290	283.07	16	18	3.50		
72	299	291.16	20	22	3.70		
75	311	303.28	20	22	4.00		
80	331	323.49	20	22	4.60		
85	351	343.69	20	22	5.20		
90	371	363.90	20	22	5.80		

□ K40A

SPROCKETS

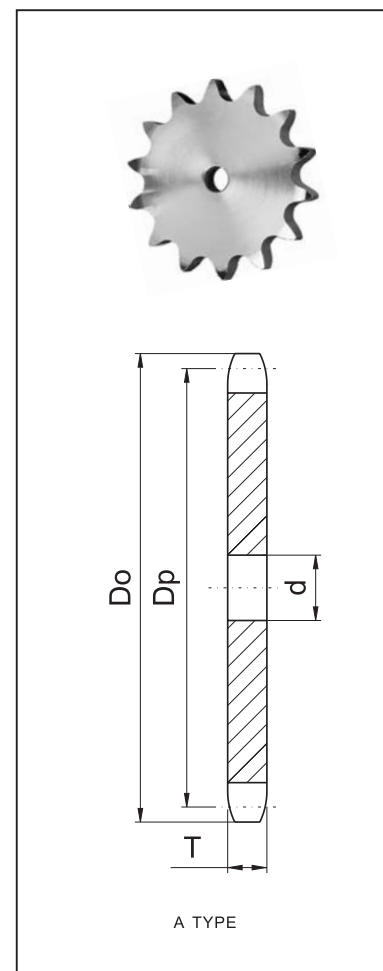
Tooth Width (T) 7.2mm

CHAIN

Pitch (P) 12.7mm

Internal width (W) 7.95mm

RollerΦ (Dr) 7.95mm



Stock Bore Platewheels (K) Asian Standard Series

K50A

Type	Teeth	Do	Dp	Bore d		Wt kg	Material
				Stock	Min		
K 50A	10	58	51.37	14	16	0.14	C45 Solid
	11	64	56.35	14	16	0.17	
	12	69	61.34	14	16	0.20	
	13	74	66.34	14	16	0.23	
	14	79	71.34	14	16	0.27	
	15	84	76.35	14	16	0.30	
	16	89	81.37	14	16	0.35	
	17	94	86.39	14	16	0.40	
	18	100	91.42	14	16	0.45	
	19	105	96.45	14	16	0.48	
	20	110	101.48	14	16	0.50	
	21	115	106.51	14	16	0.60	
	22	120	111.55	16	18	0.66	
	23	125	116.58	16	18	0.72	
	24	130	121.62	16	18	0.78	
	25	135	126.66	16	18	0.85	
	26	140	131.70	16	18	0.90	
	27	145	136.74	16	18	1.00	
	28	150	141.79	16	18	1.05	
	29	155	146.83	16	18	1.12	
	30	161	151.87	16	18	1.20	
	31	166	156.92	16	18	1.30	
	32	171	161.96	16	18	1.35	
	33	176	167.01	16	18	1.45	
	34	181	172.05	16	18	1.55	
	35	186	177.10	16	18	1.65	
	36	191	182.14	16	18	1.75	
	37	196	187.19	16	18	1.85	
	38	201	192.24	16	18	1.95	
	39	206	197.29	16	18	2.05	
	40	211	202.33	16	18	2.15	
	41	216	207.38	16	18	2.25	
	42	221	212.43	16	18	2.40	
	43	226	217.48	16	18	2.50	
	44	231	222.53	16	18	2.60	
	45	237	227.58	16	18	2.70	
	46	242	232.63	16	18	2.88	
	47	247	237.68	16	18	3.01	
	48	252	242.73	16	18	3.10	
	49	257	247.78	16	18	3.27	
50	262	252.83	16	18	3.40		
51	267	257.88	16	18	3.55		
52	272	262.92	16	18	3.69		
53	277	267.97	16	18	3.83		
54	282	273.02	16	18	3.95		
55	287	278.08	16	18	4.13		
56	292	283.13	16	18	4.28		
57	297	288.18	16	18	4.44		
58	302	293.23	16	18	4.59		
59	307	298.28	16	18	4.75		
60	312	303.33	16	18	4.90		
64	333	323.53	20	22	5.60		
65	338	328.58	20	22	5.75		
68	353	343.74	20	22	6.32		
70	363	353.84	20	22	6.70		
72	373	363.94	20	22	7.05		
75	388	379.10	20	22	7.70		
80	414	404.36	20	22	8.70		
90	464	454.88	20	22	11.00		

□ K50A

SPROCKETS

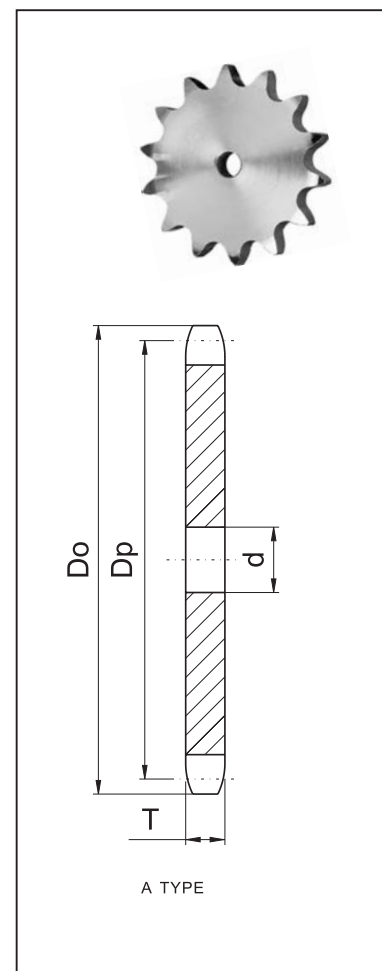
Tooth Width (T) 8.7mm

CHAIN

Pitch (P) 15.875mm

Internal width (W) 9.53mm

Roller Φ (Dr) 10.16mm



Stock Bore Platewheels (K) Asian Standard Series

K60A

Type	Teeth	Do	Dp	Bore d		Wt kg	Material
				Stock	Min		
K 60A	10	68	61.65	14	16	0.27	C45 Solid
	11	76	67.62	14	16	0.30	
	12	83	73.60	14	16	0.38	
	13	89	79.60	14	16	0.45	
	14	95	85.61	16	18	0.50	
	15	101	91.62	16	18	0.60	
	16	107	97.65	16	18	0.65	
	17	113	103.67	16	18	0.75	
	18	119	109.71	16	18	0.84	
	19	126	115.74	16	18	0.93	
	20	132	121.78	16	18	1.05	
	21	138	127.82	16	18	1.15	
	22	144	133.86	16	18	1.25	
	23	150	139.90	16	18	1.40	
	24	156	145.95	16	18	1.50	
	25	162	151.99	16	18	1.62	
	26	168	158.04	16	18	1.78	
	27	174	164.09	20	22	1.90	
	28	180	170.14	20	22	2.05	
	29	187	176.20	20	22	2.20	
	30	193	182.25	20	22	2.35	
	31	199	188.30	20	22	2.50	
	32	205	194.35	20	22	2.68	
	33	211	200.41	20	22	2.85	
	34	217	206.46	20	22	3.02	
	35	223	212.52	20	22	3.25	
	36	229	218.57	20	22	3.40	
	37	235	224.63	20	22	3.60	
	38	241	230.69	20	22	3.80	
	39	247	236.74	20	22	4.00	
	40	253	242.80	20	22	4.20	
	41	260	248.86	20	22	4.45	
	42	266	254.92	20	22	4.63	
	43	272	260.98	20	22	4.85	
	44	278	267.03	20	22	5.10	
	45	284	273.09	20	22	5.30	
	46	290	279.15	20	22	5.59	
	47	296	285.21	20	22	5.83	
	48	302	291.27	20	22	6.10	
	49	308	297.33	20	22	6.34	
50	314	303.39	20	22	6.60		
51	320	309.45	20	22	6.87		
52	326	315.51	20	22	7.15		
54	338	327.63	20	22	7.70		
55	345	333.69	20	22	8.00		
57	357	345.81	20	22	8.59		
58	363	351.87	20	22	8.90		
60	375	363.99	20	22	9.50		
65	405	394.30	26	28	11.20		
70	436	424.61	26	28	13.00		
72	448	436.73	26	28	13.70		
75	466	454.92	26	28	14.90		
80	496	485.23	26	28	16.90		
90	557	545.85	26	28	21.40		

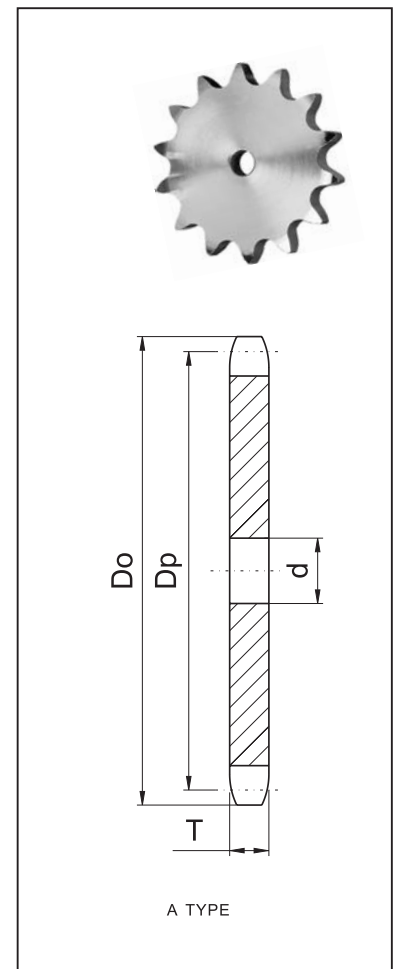
K60A

SPROCKETS

Tooth Width (T) 11.7mm

CHAIN

Pitch (P) 19.05mm
Internal width (W) 12.70mm
Roller Φ (Dr) 11.91mm



Stock Bore Platewheels (K)

Asian Standard Series

K80A

Type	Teeth	Do	Dp	Bore d		Wt kg	Material
				Stock	Min		
K 80A	10	93	82.19	16	18	0.60	C45 Solid
	11	102	90.16	16	18	0.73	
	12	110	98.14	16	18	0.83	
	13	118	106.14	16	18	1.00	
	14	127	114.15	16	18	1.16	
	15	135	122.17	20	22	1.30	
	16	143	130.20	20	22	1.50	
	17	151	138.23	20	22	1.70	
	18	159	146.27	20	22	1.90	
	19	167	154.32	20	22	2.10	
	20	176	162.37	20	22	2.35	
	21	184	170.42	20	22	2.57	
	22	192	178.48	26	28	2.82	
	23	200	186.54	26	28	3.10	
	24	208	194.60	26	28	3.35	
	25	216	202.66	26	28	3.65	
	26	224	210.72	26	28	3.95	
	27	233	218.79	26	28	4.25	
	28	241	226.86	26	28	4.60	
	29	249	234.93	26	28	4.93	
	30	257	243.00	26	28	5.30	
	31	265	251.07	26	28	5.63	
	32	273	259.14	26	28	6.00	
	33	281	267.21	26	28	6.40	
	34	289	275.29	26	28	6.80	
	35	297	283.36	26	28	7.20	
	36	306	291.43	26	28	7.60	
	37	314	299.51	26	28	8.00	
	38	322	307.58	26	28	8.50	
	39	330	315.66	26	28	8.90	
	40	338	323.74	26	28	9.40	
	41	346	331.81	26	28	9.90	
	42	354	339.89	26	28	10.30	
	43	362	347.97	26	28	10.80	
	44	370	356.04	26	28	11.40	
	45	378	364.12	26	28	11.90	
	46	387	372.20	26	28	12.40	
	47	395	380.28	26	28	12.95	
	48	403	388.36	26	28	13.50	
	49	411	396.44	26	28	14.08	
50	419	404.52	26	28	14.70		
52	435	420.68	26	28	15.86		
53	443	428.76	26	28	16.48		
54	451	436.84	26	28	17.10		
55	459	444.92	26	28	17.75		
56	468	453.00	26	28	18.40		
57	476	461.08	26	28	19.07		
58	484	469.16	26	28	19.75		
60	500	485.33	26	28	21.10		
64	532	517.65	26	28	24.05		
65	540	525.73	26	28	24.80		
66	548	533.82	26	28	25.58		
70	581	566.15	26	28	28.80		
75	621	606.56	26	28	33.10		
80	662	646.97	26	28	37.60		
90	743	727.80	26	28	47.60		

K80A

SPROCKETS

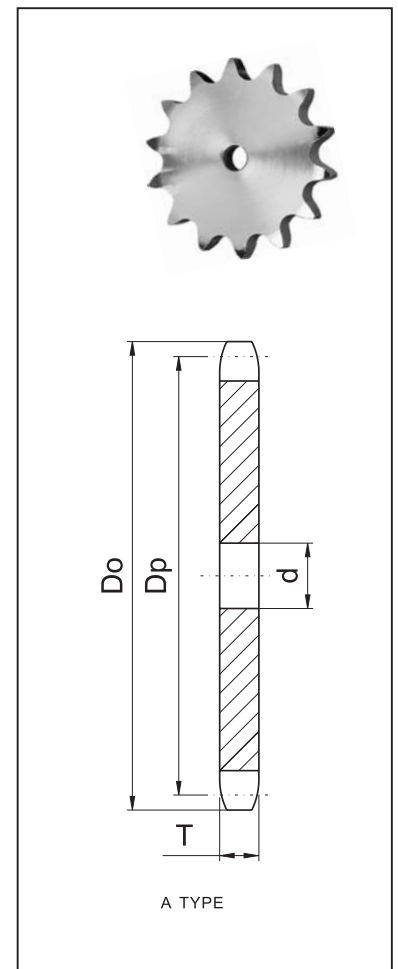
Tooth Width (T) 14.6mm

CHAIN

Pitch (P) 25.4mm

Internal width (W) 15.88mm

Roller Φ (Dr) 15.88mm



Stock Bore Platewheels (K) Asian Standard Series

K100A

K100A

SPROCKETS

Tooth Width (T) 17.6mm

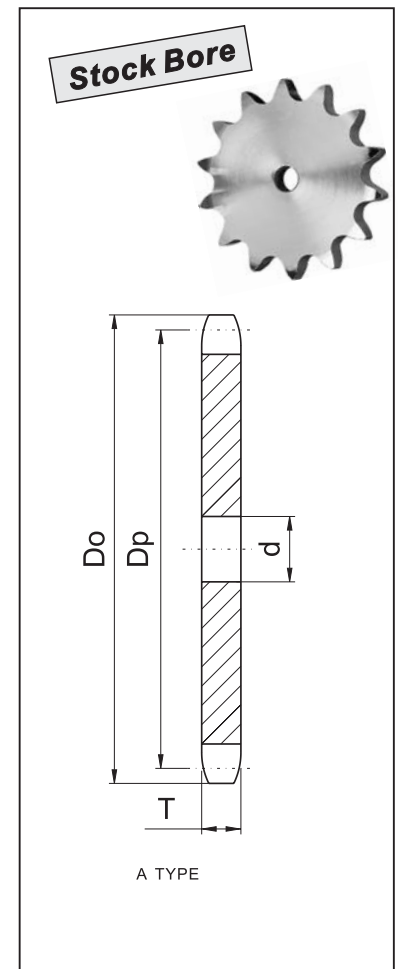
CHAIN

Pitch (P) 31.75mm

Internal width (W) 19.05mm

Roller Φ (Dr) 19.05mm

Type	Teeth	Do	Dp	Bore d		Wt kg	Material
				Stock	Min		
K 100A	10	117	102.74	20	22	1.10	C45 Solid
	11	127	112.70	20	22	1.30	
	12	138	122.67	20	22	1.60	
	13	148	132.67	20	22	1.90	
	14	158	142.68	20	22	2.15	
	15	168	152.71	20	22	2.50	
	16	179	162.74	20	22	2.83	
	17	189	172.79	20	22	3.20	
	18	199	182.84	20	22	3.60	
	19	209	192.90	20	22	4.00	
	20	220	202.96	20	22	4.40	
	21	230	213.03	20	22	4.90	
	22	240	223.10	20	22	5.35	
	23	250	233.17	20	22	5.80	
	24	260	243.25	20	22	6.40	
	25	270	253.32	20	22	6.90	
	26	281	263.40	20	22	7.50	
	27	291	273.49	20	22	8.10	
	28	301	283.57	20	22	8.70	
	29	311	293.66	20	22	9.30	
	30	321	303.75	26	28	10.00	
	31	331	313.83	26	28	10.63	
	32	341	323.92	26	28	11.35	
	33	352	334.01	26	28	12.00	
	34	362	344.11	26	28	12.80	
	35	372	354.20	26	28	13.50	
	36	382	364.29	26	28	14.40	
	37	392	374.38	26	28	15.10	
	38	402	384.48	26	28	16.00	
	39	412	394.57	26	28	16.80	
	40	422	404.67	26	28	17.70	
	41	433	414.77	26	28	18.60	
	42	443	424.86	26	28	19.50	
	43	453	434.96	26	28	20.50	
	44	463	445.06	26	28	21.45	
	45	473	455.16	26	28	22.40	
46	483	465.25	26	28	23.40		
48	503	485.45	26	28	25.50		
50	524	505.65	26	28	27.70		
52	544	525.85	26	28	29.90		
54	564	546.05	26	28	32.30		
60	625	606.66	26	28	39.90		
65	675	657.17	26	28	46.80		
70	726	707.68	26	28	54.30		
75	777	758.20	26	28	62.30		
80	827	808.71	26	28	70.90		
90	928	909.75	26	28	89.58		



Stock Bore Platewheels (K) Asian Standard Series

K120A

□ K120A

SPROCKETS

Tooth Width (T) 23.5mm

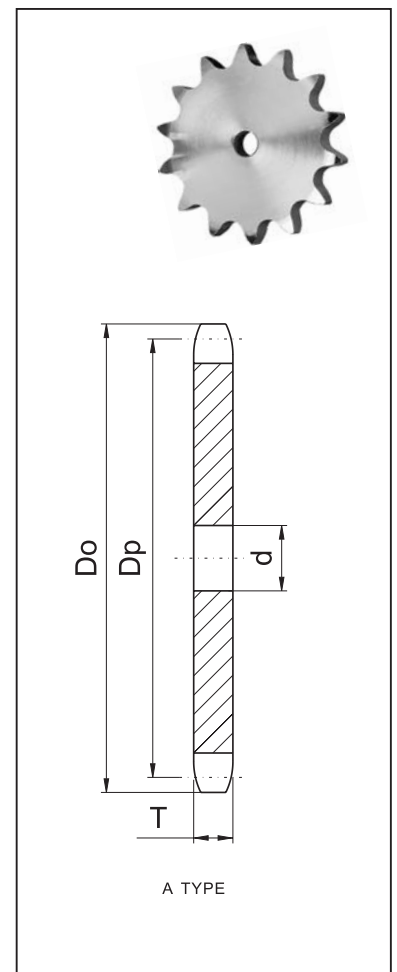
CHAIN

Pitch (P) 38.10mm

Internal width (W) 25.40mm

Roller Φ (Dr) 22.23mm

Type	Teeth	Do	Dp	Bore d		Wt kg	Material
				Stock	Min		
K 120A	10	140	123.29	20	22	2.16	C45 Solid
	11	153	135.24	20	22	2.60	
	12	165	147.21	20	22	3.10	
	13	177	159.20	20	22	3.60	
	14	190	171.22	20	22	4.20	
	15	202	183.25	20	22	4.80	
	16	214	195.29	20	22	5.50	
	17	227	207.35	20	22	6.20	
	18	239	219.41	20	22	6.95	
	19	251	231.48	20	22	7.70	
	20	263	243.55	20	22	8.55	
	21	276	255.63	20	22	9.40	
	22	288	267.72	26	28	10.30	
	23	300	279.80	26	28	11.30	
	24	312	291.90	26	28	12.30	
	25	324	303.99	26	28	13.30	
	26	337	316.09	26	28	14.40	
	27	349	328.19	26	28	15.50	
	28	361	340.29	26	28	16.70	
	29	373	352.39	26	28	17.80	
	30	385	364.50	26	28	19.20	
	31	398	376.60	26	28	20.40	
	32	410	388.71	26	28	21.80	
	33	422	400.82	26	28	23.20	
	34	434	412.93	26	28	24.60	
	35	446	425.04	26	28	26.10	
	36	458	437.15	26	28	27.60	
	38	483	461.38	26	28	30.80	
	40	507	485.60	26	28	34.10	
	42	531	509.84	26	28	37.60	
	44	556	534.07	26	28	41.20	
	45	568	546.19	26	28	43.10	
	46	580	558.30	26	28	45.10	
	48	604	582.54	26	28	49.00	
	50	628	606.78	26	28	53.30	
54	677	655.26	26	28	62.10		
60	750	727.99	26	28	76.70		
70	871	849.22	26	28	104.30		
75	932	909.84	26	28	119.80		
80	993	970.46	26	28	136.30		



Stock Bore Platewheels (K) Asian Standard Series

K140A K160A

Type	Teeth	Do	Dp	Bore d		Wt kg	Material
				Stock	Min		
K 140A	10	163	143.84	26	28	2.90	C45 Solid
	11	178	157.78	26	28	3.60	
	12	193	171.74	26	28	4.20	
	13	207	185.74	26	28	4.90	
	14	221	199.76	26	28	5.70	
	15	236	213.79	26	28	6.60	
	16	250	227.84	26	28	7.50	
	17	264	241.91	26	28	8.40	
	18	279	255.98	26	28	9.40	
	19	293	270.06	26	28	10.50	
	20	307	284.15	26	28	11.60	
	21	322	298.24	26	28	12.80	
	22	336	312.34	26	28	14.10	
	23	350	326.44	26	28	15.30	
	24	364	340.54	26	28	16.70	
	25	379	354.65	26	28	18.10	
	26	393	368.77	26	28	19.60	
	28	421	397.00	26	28	23.00	
	30	450	425.24	26	28	26.00	
	32	478	453.49	26	28	29.70	
	35	521	495.88	26	28	35.60	
	38	563	538.27	26	28	41.90	
	40	591	566.54	26	28	46.40	
	42	620	594.81	26	28	51.10	
45	662	637.22	26	28	58.80		
48	705	679.63	26	28	66.90		
50	733	707.91	26	28	72.50		
54	790	764.47	26	28	84.60		
60	875	849.32	26	28	104.00		

Type	Teeth	Do	Dp	Bore d		Wt kg	Material
				Stock	Min		
K 160A	10	186	164.39	26	28	4.85	C45 Solid
	11	204	180.31	26	28	5.85	
	12	220	196.28	26	28	6.90	
	13	237	212.27	26	28	8.10	
	14	253	228.30	26	28	9.40	
	15	269	244.33	26	28	10.80	
	16	286	260.39	26	28	12.25	
	17	302	276.46	26	28	13.80	
	18	319	292.55	26	28	15.50	
	19	335	308.64	26	28	17.20	
	20	351	324.74	26	28	19.00	
	21	358	340.84	26	28	21.00	
	22	384	356.96	26	28	23.00	
	23	400	373.07	26	28	25.10	
	24	416	389.19	26	28	27.40	
	25	433	405.32	26	28	29.70	
	26	449	421.45	26	28	32.10	
	28	481	453.72	26	28	37.20	
	30	514	485.99	26	28	42.70	
	32	546	518.28	26	28	48.70	
	35	595	566.71	26	28	58.10	
	38	644	615.17	26	28	68.50	
	40	676	647.47	26	28	75.10	
	42	708	679.78	26	28	83.60	
45	757	728.25	26	28	96.00		
48	806	776.72	26	28	109.00		
50	838	809.04	26	28	118.50		
54	903	873.68	26	28	138.20		
60	1,000	970.65	26	28	170.00		

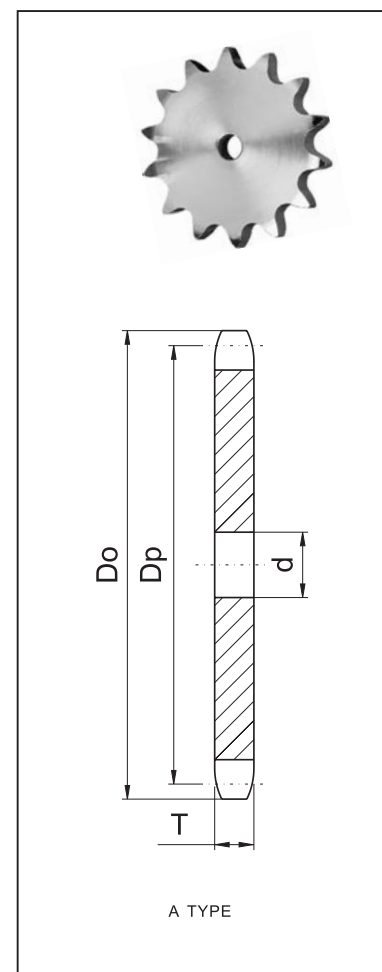
K140A

SPROCKETS

Tooth Width (T) 23.5mm

CHAIN

Pitch (P) 44.45mm
Internal width (W) 25.40mm
Roller Φ (Dr) 25.40mm



K160A

SPROCKETS

Tooth Width (T) 29.4mm

CHAIN

Pitch (P) 50.80mm
Internal width (W) 31.75mm
Roller Φ (Dr) 28.58mm

Stock Bore Platewheels (K) Asian Standard Series

K180A K200A

Type	Teeth	Do	Dp	Bore d		Wt kg	Material
				Stock	Min		
K 180A	11	229	202.85	43	45	7.8	C45 Solid
	12	248	220.81	43	45	9.3	
	13	266	238.81	43	45	10.9	
	14	285	256.83	43	45	12.6	
	15	303	274.87	43	45	14.5	
	16	322	292.94	43	45	16.5	
	17	340	311.04	43	45	18.7	
	18	358	329.11	43	45	21.5	
	19	377	347.21	43	45	23.9	
	20	395	365.33	43	45	26.6	
	21	413	383.45	63	65	28.9	
	22	432	401.57	63	65	31.7	
	24	468	437.84	63	65	37.9	
	25	487	455.99	63	65	41.2	
	26	505	474.13	63	65	44.6	
	30	578	546.74	63	65	59.6	
	35	669	637.56	63	65	81.3	
	40	760	728.41	63	65	106.4	
	45	852	819.28	63	65	134.8	
48	903	873.81	63	65	153.5		
60	1,125	1,091.98	63	65	240.2		

Type	Teeth	Do	Dp	Bore d		Wt kg	Material
				Stock	Min		
K 200A	11	254	225.39	43	45	10.4	C45 Solid
	12	275	245.34	43	45	12.3	
	13	296	265.34	43	45	14.5	
	14	316	285.37	43	45	16.8	
	15	337	305.42	43	45	19.3	
	16	357	325.49	43	45	22.5	
	17	378	345.58	43	45	25.4	
	18	398	365.68	43	45	28.5	
	19	419	385.79	63	65	31.3	
	20	439	405.92	63	65	34.7	
	21	459	426.05	63	65	38.3	
	22	480	446.20	63	65	42.1	
	24	520	486.49	63	65	50.3	
	25	541	506.65	63	65	54.6	
	26	561	526.81	63	65	59.1	
	30	642	607.49	63	65	78.9	
	35	744	708.39	63	65	107.6	
	40	845	809.34	63	65	140.7	
	45	946	910.31	63	65	178.3	
48	1,007	970.90	68	70	202.8		
60	1,250	1,213.31	68	70	317.3		

□ K180A

SPROCKETS

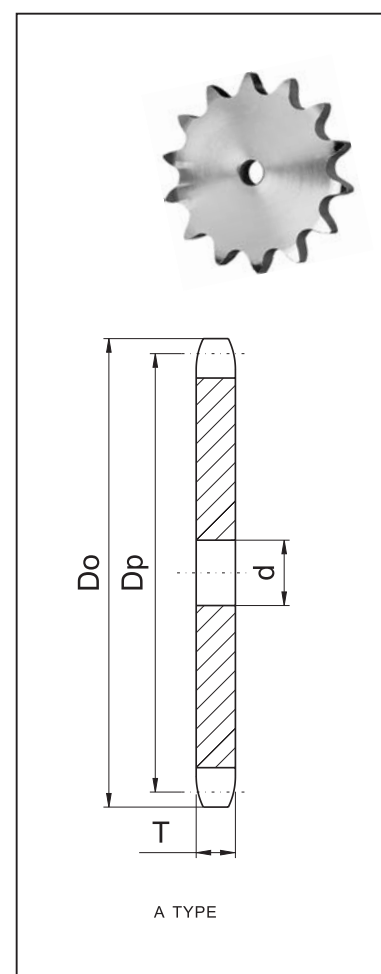
Tooth Width (T) 33.0mm

CHAIN

Pitch (P) 57.15mm

Internal width (W) 35.72mm

RollerΦ (Dr) 35.71mm



□ K200A

SPROCKETS

Tooth Width (T) 35.3mm

CHAIN

Pitch (P) 63.50mm

Internal width (W) 37.85mm

RollerΦ (Dr) 69.68mm

Double Pitch Sprockets

Asian Standard Series

NK2040SB

NK2050SB

NK2060SB

NK2040SB

SPROCKETS

Tooth Width (T) 7.2mm

CHAIN

Pitch (P) 25.4mm
Internal width (W) 7.95mm
Roller Φ (Dr) 7.95mm

Type	Teeth	Do	Dp	Bore d			BD	BL	Wt. Kg	Material
				Stock	Min	Max				
NK2040SB	6 1/2	59	54.66	13	15	20	35	22	0.20	C45 Solid Hardened Teeth
	7 1/2	67	62.45	13	15	25	43	22	0.30	
	8 1/2	76	70.31	13	15	32	52	22	0.42	
	9 1/2	84	78.23	13	15	38	60	25	0.61	
	10 1/2	92	86.17	14	16	46	69	25	0.82	
	11 1/2	100	94.15	14	16	51	77	25	0.98	
	12 1/2	108	102.14	14	16	42	63	25	0.83	

NK2050SB

SPROCKETS

Tooth Width (T) 8.7mm

CHAIN

Pitch (P) 31.75mm
Internal width (W) 9.53mm
Roller Φ (Dr) 10.16mm

Type	Teeth	Do	Dp	Bore d			BD	BL	Wt. Kg	Material
				Stock	Min	Max				
NK2050SB	6 1/2	74	68.32	14	16	25	44	25	0.38	C45 Solid Hardened Teeth
	7 1/2	84	78.06	14	16	32	54	25	0.55	
	8 1/2	94	87.89	14	16	45	65	25	0.76	
	9 1/2	105	97.78	14	16	48	73	28	1.06	
	10 1/2	115	107.72	14	16	48	73	28	1.16	
	11 1/2	125	117.68	16	18	48	73	28	1.27	
	12 1/2	135	127.67	16	18	48	73	28	1.40	

NK2060SB

SPROCKETS

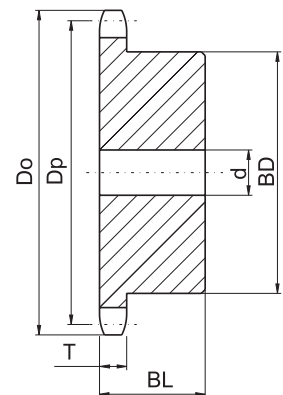
Tooth Width (T) 11.7mm

CHAIN

Pitch (P) 38.10mm
Internal width (W) 12.70mm
Roller Φ (Dr) 11.91mm

Type	Teeth	Do	Dp	Bore d			BD	BL	Wt. Kg	Material
				Stock	Min	Max				
NK2060SB	6 1/2	88	81.98	14	16	32	53	32	0.73	C45 Solid Hardened Teeth
	7 1/2	101	93.67	16	18	45	66	32	1.05	
	8 1/2	113	105.47	16	18	48	73	32	1.33	
	9 1/2	126	117.34	16	18	55	83	40	2.03	
	10 1/2	138	129.26	16	18	55	83	40	2.23	
	11 1/2	150	141.22	16	18	55	80	45	2.56	
	12 1/2	162	153.20	16	18	55	80	45	2.81	

Stock Bore



B Type

Double Pitch Sprockets

Asian Standard Series

NK2080SB

NK2100SB

NK2080SB

SPROCKETS

Tooth Width (T) 14.6mm

CHAIN

Pitch (P) 50.80mm

Internal width (W) 15.88mm

Roller Φ (Dr) 15.88mm

Type	Teeth	Do	Dp	Bore d			BD	BL	Wt. Kg	Material
				Stock	Min	Max				
NK2080SB	6 1/2	118	109.31	16	18	46	70	40	1.62	C45 Solid
	7 1/2	135	124.90	20	22	60	88	40	2.34	
	8 1/2	151	140.63	20	22	63	93	40	2.48	
	9 1/2	167	156.45	20	22	63	93	40	3.24	Hardened Teeth
	10 1/2	184	172.35	20	22	63	93	40	3.68	A3 Weld
	11 1/2	200	188.29	26	28	75	107	45	4.88	
12 1/2	216	204.27	26	28	75	107	45	5.43		

NK2100SB

SPROCKETS

Tooth Width (T) 17.6mm

CHAIN

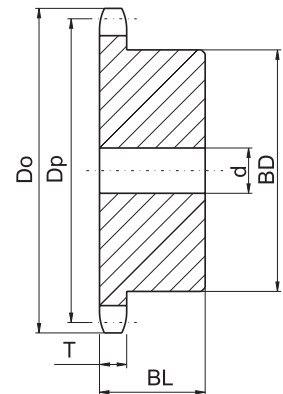
Pitch (P) 63.50mm

Internal width (W) 19.05mm

Roller Φ (Dr) 19.05mm

Type	Teeth	Do	Dp	Bore d			BD	BL	Wt. Kg	Material
				Stock	Min	Max				
NK2100SB	6 1/2	148	136.64	20	22	60	88	50	3.38	C45 Solid
	7 1/2	168	156.12	20	22	66	98	50	4.12	
	8 1/2	189	175.78	20	22	75	107	50	5.15	
	9 1/2	209	195.57	20	22	75	107	50	5.91	Hardened Teeth
	10 1/2	230	215.43	20	22	75	107	50	6.76	A3 Weld
	11 1/2	250	235.36	20	22	80	117	56	8.63	
12 1/2	270	255.34	20	22	80	117	56	9.65		

Stock Bore



B Type

Double Pitch Sprockets

Asian Standard Series

NK2040RB

NK2050RB

NK2040RB

SPROCKETS

Tooth Width (T) 7.2mm

CHAIN

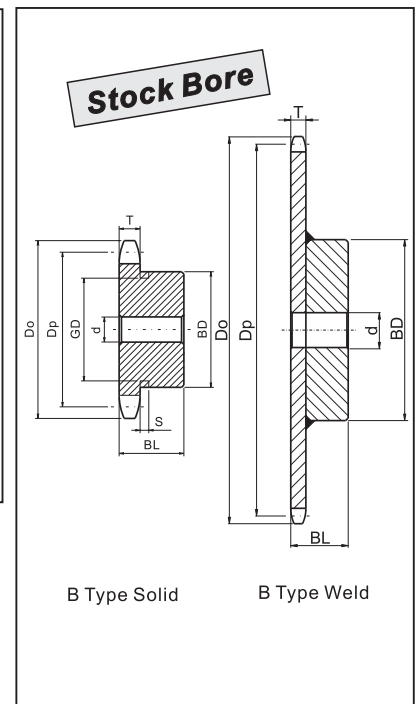
Pitch (P) 25.4mm

Internal width (W) 7.95mm

RollerΦ (Dr) 15.88mm

Type	Teeth	Do	Dp	Bore d			BD	BL	Wt. Kg	Material
				Stock	Min	Max				
NK2040RB	7	68	58.54	16	18	22	*40	25	0.26	C45 Solid
	8	77	66.37	16	18	28	*48	25	0.37	
	9	85	74.26	16	18	32	52	25	0.47	
	10	93	82.20	16	18	42	63	25	0.70	
	11	102	90.16	16	18	42	63	25	0.77	
	12	108	98.14	16	18	42	63	25	0.84	
	13	118	106.14	16	18	42	63	25	0.97	
	14	127	114.15	16	18	42	63	25	1.07	
	15	135	122.17	16	18	45	68	28	1.26	
	16	143	130.20	20	22	45	68	28	1.30	
	17	151	138.23	20	22	45	68	28	1.35	
	18	159	146.27	20	22	45	68	28	1.45	
	19	167	154.32	20	22	45	68	28	1.60	
	20	176	162.37	20	22	45	68	28	1.80	
	21	183	170.42	20	22	48	73	32	1.91	
	22	192	178.48	20	22	48	73	32	2.03	
	23	200	186.54	20	22	48	73	32	2.15	
	24	208	194.60	20	22	48	73	32	2.28	
	25	216	202.66	20	22	48	73	32	2.42	
	26	224	210.72	20	22	48	73	32	2.56	
	28	241	226.86	20	22	48	73	32	2.87	
	30	257	243.00	20	22	48	73	32	3.19	
	32	273	259.14	20	22	55	83	32	4.04	

* Has recessed groove in hub for chain clearance



NK2050RB

SPROCKETS

Tooth Width (T) 8.7mm

CHAIN

Pitch (P) 31.75mm

Internal width (W) 9.53mm

RollerΦ (Dr) 19.05mm

Type	Teeth	Do	Dp	Bore d			BD	BL	Wt. Kg	Material
				Stock	Min	Max				
NK 2050RB	7	85	73.18	20	22	30	*50	28	0.46	C45 Solid
	8	96	82.97	20	22	40	*60	28	0.67	
	9	106	92.83	20	22	42	66	28	0.86	
	10	116	102.75	20	22	48	73	28	1.10	
	11	127	112.70	20	22	48	73	28	1.20	
	12	138	122.67	20	22	48	73	28	1.30	
	13	148	132.67	20	22	48	73	28	1.50	
	14	158	142.68	20	22	48	73	28	1.90	
	15	168	152.71	20	22	48	73	28	2.00	
	16	179	162.74	20	22	48	73	28	2.30	
	17	189	172.79	20	22	55	83	35	2.45	
	18	199	182.84	20	22	55	83	35	2.75	
	19	209	192.90	20	22	55	83	35	2.95	
	20	220	202.96	20	22	55	83	35	3.15	
	21	229	213.03	20	22	55	83	35	3.25	
	22	240	223.10	20	22	55	83	35	3.48	
	23	250	233.17	20	22	55	83	35	3.71	
	24	260	243.25	20	22	55	83	35	3.96	
	25	270	253.32	20	22	55	83	35	4.22	
	26	281	263.41	20	22	55	83	35	4.49	
	28	301	283.57	20	22	55	83	35	5.06	
	30	321	303.75	20	22	55	83	35	5.68	

* Has recessed groove in hub for chain clearance

NK2040RB

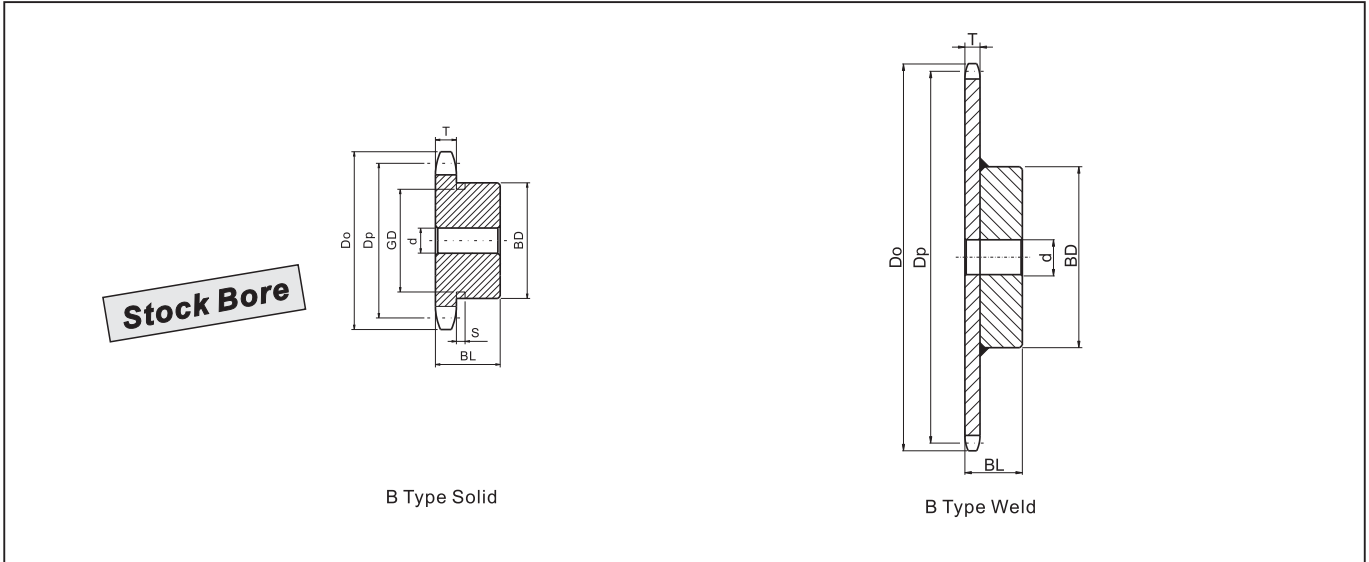
Teeth	S	GD
7	6	35
8		43

NK2050RB

Teeth	S	GD
7	7	45
8		56

Double Pitch Sprockets Asian Standard Series

NK2060RB



NK2060RB

SPROCKETS

Tooth Width (T) 11.7mm

CHAIN

Pitch (P) 38.10mm

Internal width (W) 12.70mm

Roller Φ (Dr) 22.23mm

Power Transmission Professional

Teeth	S	GD
7	10	56
8		68

Type	Teeth	Do	Dp	Bore d			BD	BL	Wt. Kg	Material
				Stock	Min	Max				
NK 2060RB	7	102	87.81	20	22	40	*60	40	0.97	C45 Solid
	8	115	99.56	20	22	50	*75	40	1.44	
	9	128	111.40	20	22	50	80	40	1.80	
	10	140	123.29	20	22	55	80	45	2.50	
	11	153	135.23	20	22	55	80	45	2.60	
	12	165	147.21	20	22	55	80	45	2.80	
	13	177	159.20	20	22	55	83	45	3.10	
	14	190	171.22	20	22	55	83	45	3.60	
	15	202	183.25	20	22	55	83	45	3.90	
	16	214	195.29	20	22	55	83	45	4.20	
	17	227	207.35	26	28	63	93	45	4.60	Fe360 Welding
	18	239	219.41	26	28	63	93	45	5.00	
	19	251	231.48	26	28	63	93	45	5.50	
	20	263	243.55	26	28	63	93	45	6.00	
	21	276	255.63	26	28	63	93	45	5.89	
	22	288	267.72	26	28	63	93	45	6.34	
	24	312	291.90	26	28	63	93	45	7.28	
	25	324	303.99	26	28	63	93	45	7.77	
	26	337	316.09	26	28	63	93	45	8.77	
	28	361	340.29	26	28	63	93	45	9.90	
30	385	364.49	26	28	63	93	45	11.20		

* Has recessed groove in hub for chain clearance

Double Pitch Sprockets

Asian Standard Series

NK2080RB

NK2100RB

NK2080RB

SPROCKETS

Tooth Width (T) 14.6mm

CHAIN

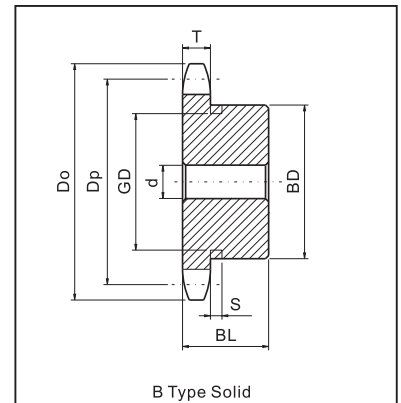
Pitch (P) 50.80mm

Internal width (W) 15.88mm

RollerΦ (Dr) 28.58mm

Stock Bore

Type	Teeth	Do	Dp	Bore d			BD	BL	Wt. Kg	Material	
				Stock	Min	Max					
NK 2080RB	7	136	117.08	20	22	50	76	40	1.85	C45 Solid	
	8	153	132.75	20	22	60	93	40	2.64		
	9	170	148.53	20	22	65	110	40	3.56		
	10	187	164.39	20	22	63	93	40	3.29		
	11	204	180.31	26	28	75	107	45	4.42		Fe360 Welding
	12	220	196.28	26	28	75	107	45	4.94		
	13	237	212.27	26	28	75	107	45	5.46		
	14	253	228.29	26	28	75	107	45	6.09		
	15	269	244.33	26	28	75	107	45	6.70		
	16	286	260.39	26	28	75	107	45	7.42		
	17	302	276.46	26	28	75	107	45	8.12		
	18	319	292.55	26	28	80	117	50	9.76		
	19	335	308.64	26	28	80	117	50	10.56		
	20	351	324.74	26	28	80	117	50	11.46		
	24	416	389.19	26	28	80	117	50	16.30		
	25	433	405.32	26	28	80	117	50	17.50		
	26	449	421.45	26	28	80	117	50	18.70		
	28	481	453.72	26	28	80	117	50	21.20		
30	514	485.99	26	28	80	117	50	24.00			



NK2100RB

SPROCKETS

Tooth Width (T) 17.6mm

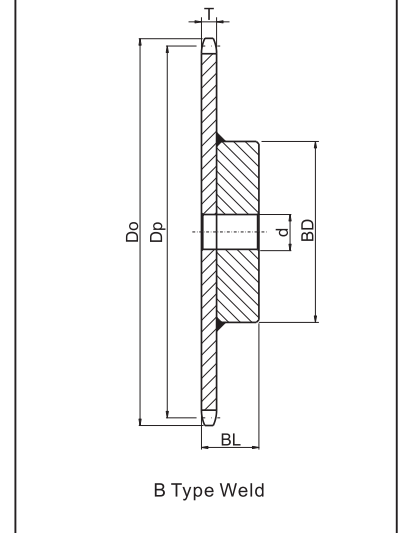
CHAIN

Pitch (P) 63.50mm

Internal width (W) 19.05mm

RollerΦ (Dr) 39.68mm

Type	Teeth	Do	Dp	Bore d			BD	BL	Wt. Kg	Material
				Stock	Min	Max				
NK 2100RB	10	233	205.49	26	28	75	107	56	7.00	Fe360 Welding
	11	254	225.39	26	28	80	117	56	8.00	
	12	275	245.35	26	28	80	117	56	9.50	



Double Sprockets for Two Single Chains

Asian Standard Series

40SD 50SD

40SD

SPROCKETS

Tooth Width (T) 7.2mm

CHAIN

Pitch (P) 12.7mm
Internal width (W) 7.95mm
Roller Φ (Dr) 7.95mm

Type	Teeth	Do	Dp	Bore d			BD	BL	Wt. Kg	Material
				Stock	Min	Max				
40SD	12	55	49.07	10	12	18	34	35	0.33	C45 Hardened Teeth
	13	59	53.07	13	15	20	38	35	0.40	
	14	63	57.07	13	15	25	42	35	0.49	
	15	67	61.08	13	15	28	46	35	0.57	
	16	71	65.10	13	15	30	50	35	0.66	
	17	76	69.12	13	15	32	54	35	0.76	
	18	80	73.14	13	15	38	59	35	0.89	
	19	84	77.16	13	15	42	63	35	1.00	
	20	88	81.18	14	16	45	67	35	1.14	
	21	92	85.21	14	16	48	71	35	1.23	

50SD

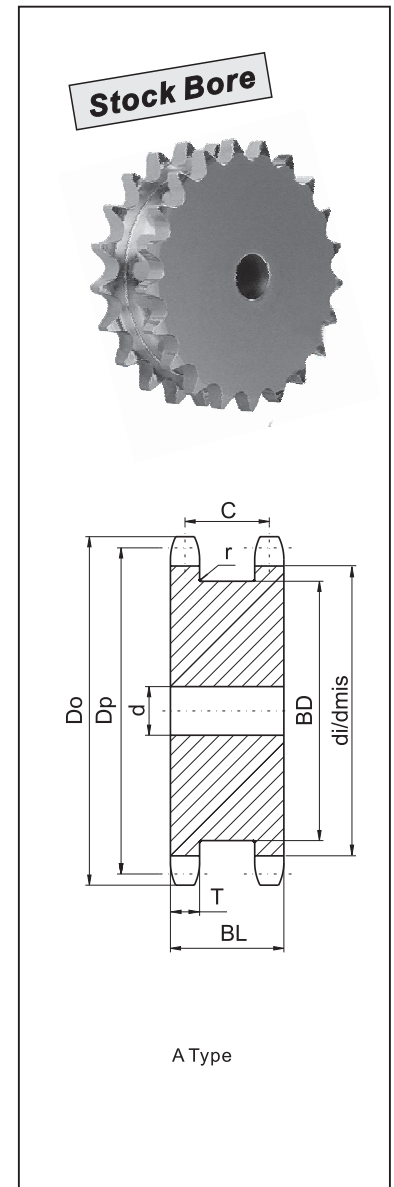
SPROCKETS

Tooth Width (T) 8.7mm

CHAIN

Pitch (P) 15.875mm
Internal width (W) 9.53mm
Roller Φ (Dr) 10.16mm

Type	Teeth	Do	Dp	Bore d			BD	BL	Wt. Kg	Material
				Stock	Min	Max				
50SD	12	69	61.34	14	16	25	43	40	0.63	C45 Hardened Teeth
	13	74	66.34	14	16	28	48	40	0.75	
	14	79	71.34	14	16	32	53	40	0.90	
	15	84	76.35	14	16	35	58	40	1.04	
	16	89	81.37	14	16	42	63	40	1.22	
	17	94	86.39	14	16	45	68	40	1.41	
	18	100	91.42	14	16	48	73	40	1.61	
	19	105	96.45	14	16	55	79	40	1.80	
	20	110	101.48	14	16	57	84	40	1.95	
	21	115	106.51	14	16	60	89	40	2.27	



Double Sprockets for Two Single Chains

Asian Standard Series

60SD
80SD

60SD

SPROCKETS

Tooth Width (T) 11.7mm

CHAIN

Pitch (P) 19.05mm
Internal width (W) 12.70mm
Roller Φ (Dr) 11.91mm

Type	Teeth	Do	Dp	Bore d			BD	BL	Wt. Kg	Material
				Stock	Min	Max				
60SD	12	83	73.60	14	16	32	51	50	1.14	C45 Hardened Teeth
	13	89	79.60	14	16	35	57	50	1.39	
	14	95	85.61	16	18	42	64	50	1.63	
	15	101	91.62	16	18	46	70	50	1.96	
	16	107	97.65	16	18	51	76	50	2.20	
	17	113	103.67	16	18	55	82	50	2.56	
	18	119	109.71	16	18	60	88	50	2.90	
	19	126	115.74	16	18	63	94	50	3.26	
	20	132	121.78	16	18	66	100	50	3.70	
	21	138	127.82	16	18	75	107	50	4.13	

80SD

SPROCKETS

Tooth Width (T) 14.6mm

CHAIN

Pitch (P) 25.4mm
Internal width (W) 15.88mm
Roller Φ (Dr) 15.88mm

Type	Teeth	Do	Dp	Bore d			BD	BL	Wt. Kg	Material
				Stock	Min	Max				
80SD	12	110	98.14	20	22.5	46	69	60	2.52	C45 Weld Hardened Teeth
	13	118	106.14	20	22.5	51	77	60	3.04	
	14	127	114.15	20	22.5	57	85	60	3.60	
	15	135	122.17	20	22.5	63	93	60	4.16	
	16	143	130.20	20	22.5	70	102	60	4.89	
	17	151	138.23	20	22.5	75	110	60	5.61	
	18	159	146.27	20	22.5	80	118	60	6.36	
	19	167	154.32	21	23.5	80	126	60	7.13	
	20	176	162.37	21	23.5	89	134	60	8.03	
	21	184	170.42	21	23.5	95	142	60	8.88	

