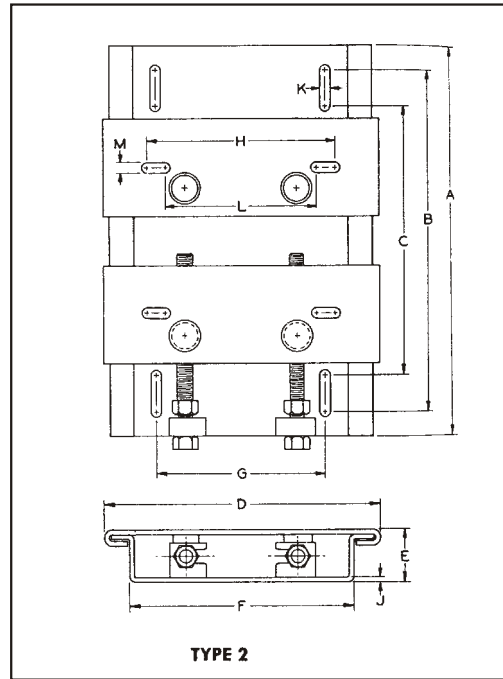
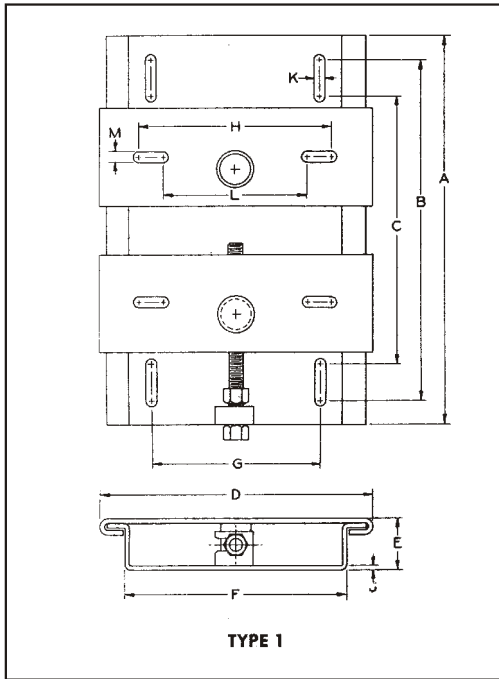
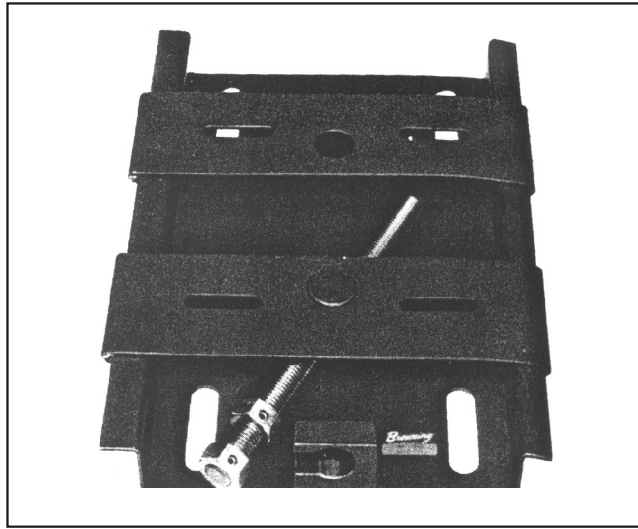
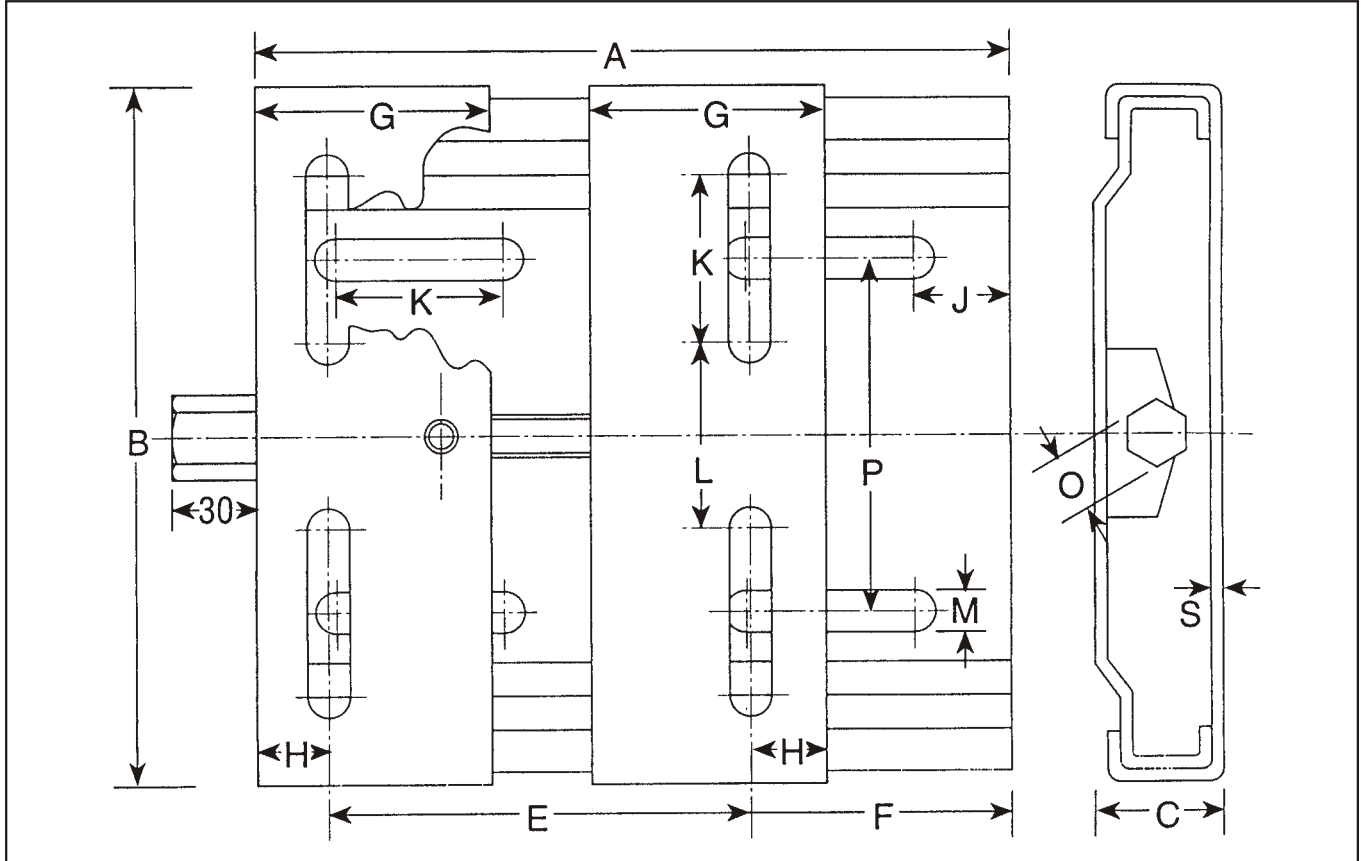


Sliding Motor Bases



Part No.	Motor From	Type	Adjustment	DIMENSIONS IN INCHES												wt. lbs.
				A	B	C	D	E	F	G	H	J	K	L	M	
MB145TX	48 56 143T.145T	1	5 1/4" 4 5/8 4	12"	10"	7"	7 27/32"	11 1/16"	6 3/4"	4"	5 3/4"	1/8"	7/16"	2 3/4"	7/16"	6
MB215TX	182.182T 184.184T 213.213T 215.215T	1	5 5 4 4	16	14	11	11 11/32"	2 1/16"	9 1/4"	6 1/2"	7	1/8"	7/16"	4	7/16"	14
MB286TX	254T.254U 256T.256U 284T.284U 286T.286U	1	6 1/2 6 1/2 5 1/2 5 1/2	21	19	16 1/4	15 17/32"	2 1/8"	13 1/2"	11 1/2"	11	3/16"	9/16"	8 1/4"	9/16"	36
MB365TX	324T.324U 326T.326U 364T.364U 365T.365U	2	7 7 5 1/2 5 1/2	24	22	18	17	2 9/16"	15	11 1/2"	12 1/4"	1/4"	11 1/16"	10 1/2"	11 1/16"	48

Adjustable Motor Mountings



Type	Part No.	A	B	C	E Min.	F Max.	G	H	J	K	L	M	O	P	S	Weight
22	F122	210	195	33	100	170	70	20	25	50	43	10.5	19	98	3	2.2kg
25	F125	270	195	43	100	230	70	20	25	50	43	10.5	19	98	3	2.8kg
40	F140	430	290	40	140	380	95	27	29	62.5	90	12.5	22	165	4	7.5kg
50	F150	490	410	40	254	410	95	40	30	60	193	15	22	142/284	4	10.8kg

Type	63M	71M	80M	90S	90L	100L	112M	132S	132M	160M	180M	180L		
22	E F	100 70	112 58	125 45										
25	E F	100 130	112 118	125 105	140 90	140 90	160 70	190 40	216 14					
40	E F				140 240	140 240	160 220	190 190	216 164	216 164	254 126			
50	E F											254 156	279 131	279 131